

# Installation Instructions

## Silent Sentry Standalone Series

SSA, SACS

### BEFORE YOU BEGIN:

Read these instructions carefully before attempting to install this product.

- **IMPORTANT** — Save these Instructions for local inspectors use.
- **IMPORTANT** — Observe all governing codes and ordinances.
- **Note to Installer** – Be sure to leave these instructions with the end user.
- **Skill Level** - Installation of this appliance requires basic mechanical skills.
- **Completion time** 3-4 hours.
- Proper Installation is the responsibility of the installer.
- Product failure due to improper installation is not covered under the warranty.
- This product should not be altered in anyway without manufacturers consent.

### FOR YOUR SAFETY:

- Be sure all hardwire electrical connections are done by a certified electrical contractor.
- Be sure the power system is securely fastened to solid structure.
- Take special care when working with battery cables, connectors & terminals are never short circuited.
- Always wear protective eye, hand and footwear while assembling this system and installing its batteries.

# Prepare to for the Installation

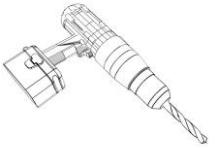
## Needed Tools:



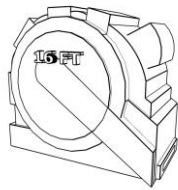
Gloves



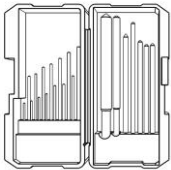
Wrench



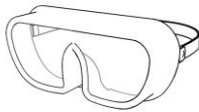
Screw  
Gun/Drill



Tape  
Measure



Drill Bit  
Set



Safety  
Glasses



Stud  
Finder



Pencil



Level



Phillips Head  
& 1/4" Hex Bit

## Parts & Supplies Provided:

Sheet Metal Screws

Top and Bottom Rail

1/4 20 Screws

Flip Toggle Fasteners & Bolts

Fender Washers

Battery Bolts

Battery Cable Set

User Manuel & Testing Guide

# Pre-Installation:

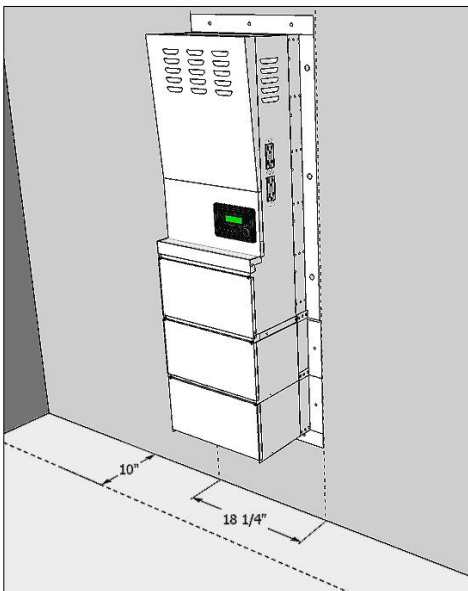
## PRE-INSTALLATION STEPS:

### 1) Prepare your Wall:

Identify the area on the wall where you will be mounting the silent sentry system.

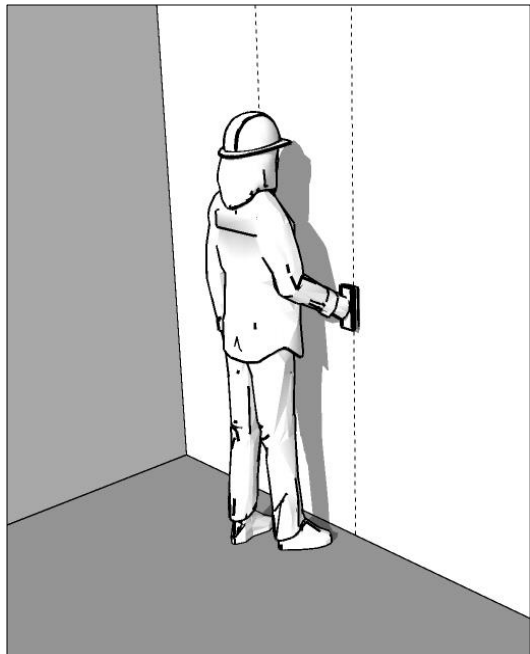
Check all measurements to ensure there will be no obstructions. You will need a space that is minimum 18 1/4" wide and 10" clearance away from the wall.

The necessary height requirement varies with each model, check your unit's spec sheet for this information.



The space directly in front of the unit will need to be accessible to remove the unit's access panel covers and for future servicing.

Locate and mark the wall studs directly behind the intended location where the unit will be mounted using a stud finder.

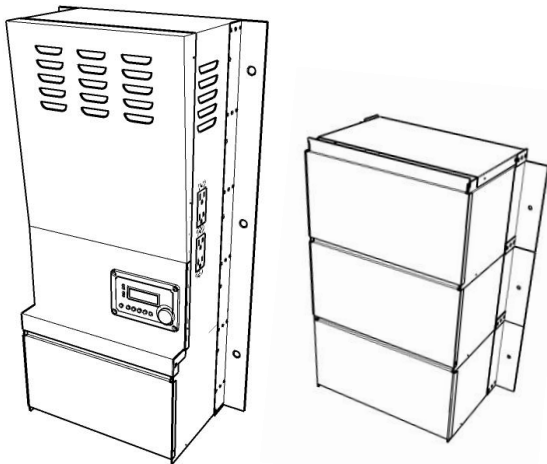


It's important that your unit is fastened to at least 1 sturdy wall stud, preferably 2 if possible.

## 2) Un-Wrap Unit & Prepare for Mounting

Units larger than 1200 Watts (SACS20XX, SACS31XX, SACS40XX, SACS44XX) Only:

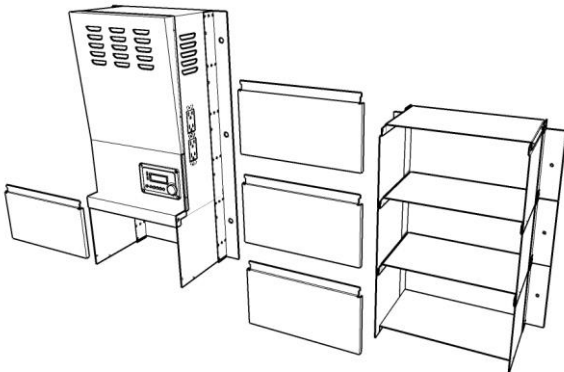
- a) Unwrap the Battery Box & Upper Cabinet:



Upper Cabinet

Empty Battery Box

- b) Remove the Battery Box Covers using the 1/4" hex driver. Each cover has 2 screws one on each side.



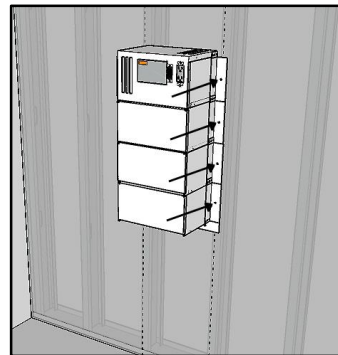
In the top upper battery compartment you will find these installation instructions, users guide and hardware. Because the covers overlap you will need to remove the top one first.

Remove each battery box covers 1200-Watt Units (SACS12XX) Only:

Unwrap cabinet and dispose of wrapping material

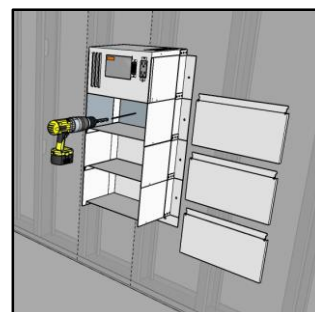


Have an assistant hold the unit up to the wall and mark each mounting hole. If possible be sure that at least one of the side rails lines up with a wall stud.



Remove the Battery Box Covers using the 1/4" hex driver, each cover has 2 screws one on each side.

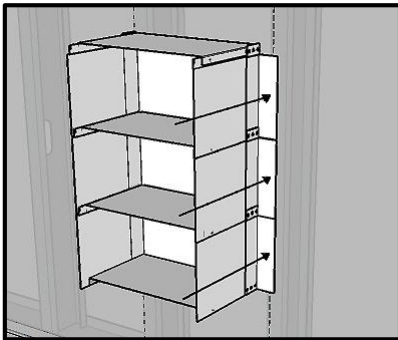
**If the area restricts the possibility of lining up a wall studs** with the mounting holes, and drill a 5/16 hole in each compartment thru the rear of the cabinet in a location that lines up with a stud. **(in addition to marking each hole on the mounting flange)**



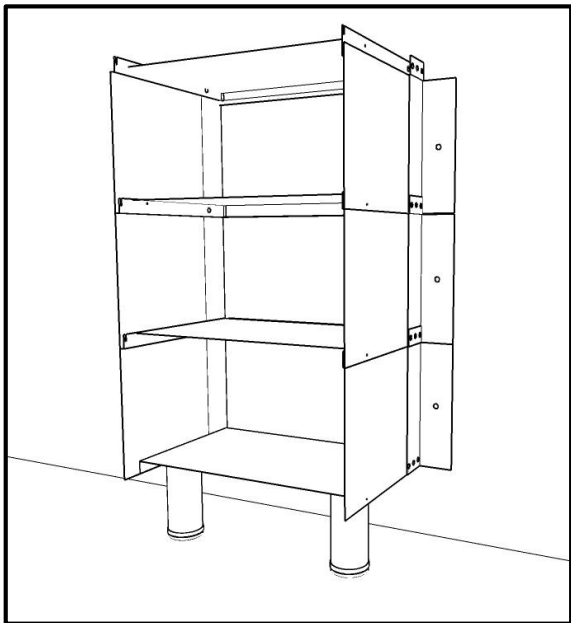
### 3) Surface Mounting unit to Wall

**Units Larger than 1200 Watts  
(SACS20XX, SACS31XX, SACS40XX,  
SACS44XX) Only:**

Hold the battery box up to the wall and mark each mounting hole. If possible be sure that at least one of the side rails is lined up with a wall stud (ideally attach to 2 wall studs whenever possible).

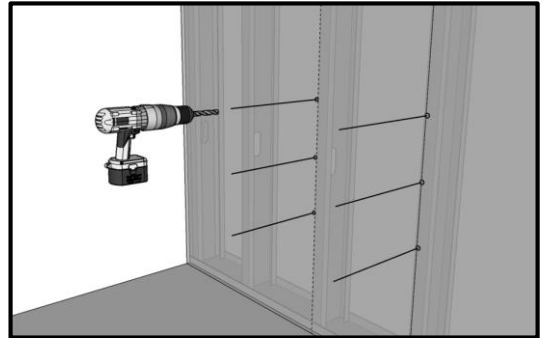


For units with 3 or more batteries' we recommend supporting the units weight on the units feet on the floor as shown:



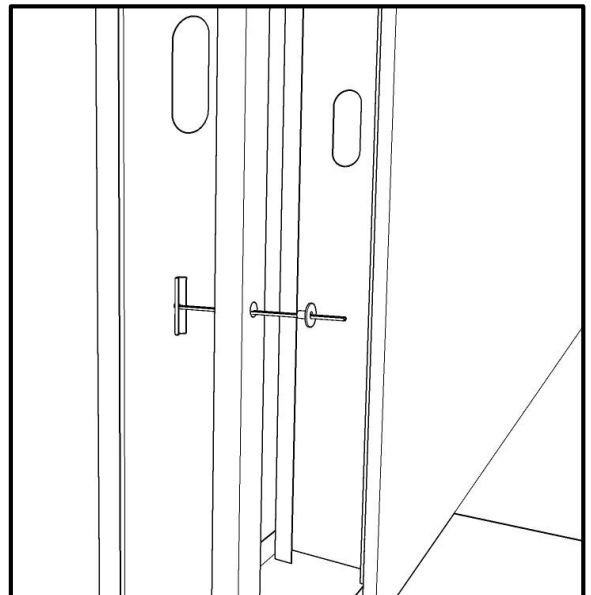
**1200-Watt Units (SACS12XX) Only:**

For installations that involve securing to metal studs drill out the marked-out holes using a 1/2" drill bit.



Note: For installations that involve wood studs predrill the marked holes with the appropriate bit for 3/8" lag bolts.

Install the provided wall fasteners into thru the 1/2" holes securing the backing plate to the metal stud as shown:

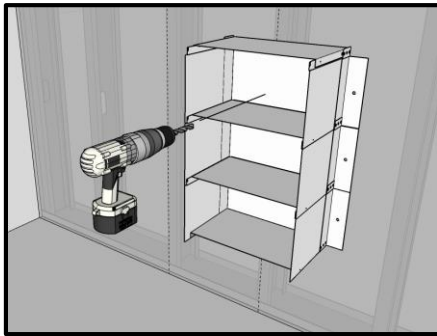


## 4) Surface Mounting unit to Wall

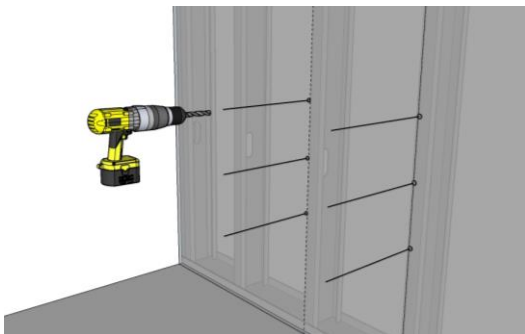
Units Larger than 1200 Watts  
(SACS20XX, SACS31XX, SACS40XX,  
SACS44XX) Only:

### Note:

If the area restricts the possibility of lining up the wall studs with the mounting flanges, remove each battery box cover and drill a 5/16" hole in each compartment thru the rear of the cabinet in a location that lines up with a stud. (in addition to marking each hole on the mounting flanges)



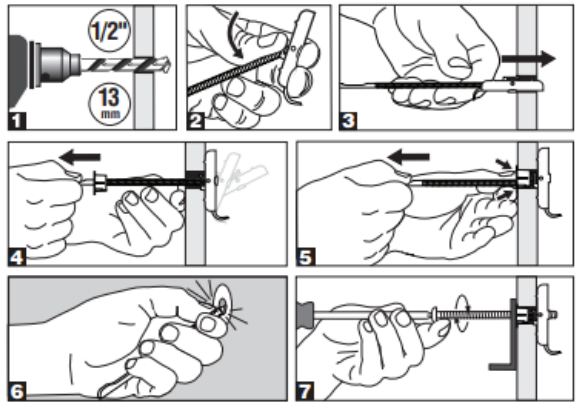
For installations that involve securing to metal studs drill out the marked-out holes using a 1/2 inch drill bit.



1200-Watt Units (SACS12XX) Only:

Here are the instructions for using a toggle wall fastener.

When fastening to the metal stud, it is important that the toggle plate be positioned horizontal and that your hole is positioned in the center of the stud.

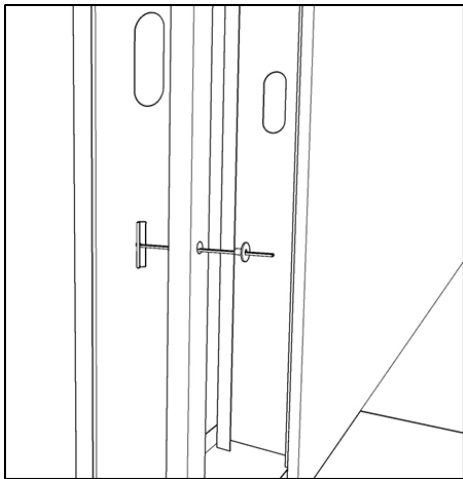


## 5) Mounting & Securing the Cabinet

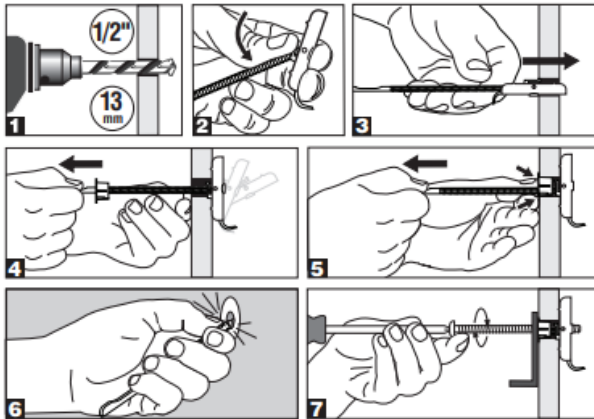
### Units Larger than 1200 Watts (SACS20XX, SACS31XX, SACS40XX, SACS44XX) Only:

Note: For installations that involve wood studs, predrill the marked holes with the appropriate bit for 3/8" lag bolts.

Install the provided wall fasteners thru the 1/2" holes securing the toggle nut plate to the metal stud as shown:

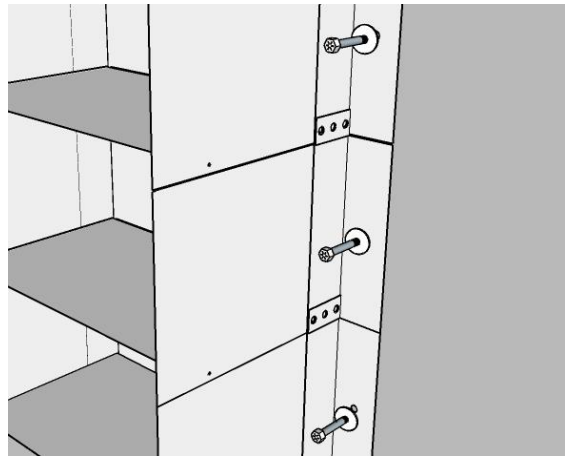


When fastening to the metal stud, it is important that the toggle plate be positioned horizontal and that your hole is positioned in the center of the stud.

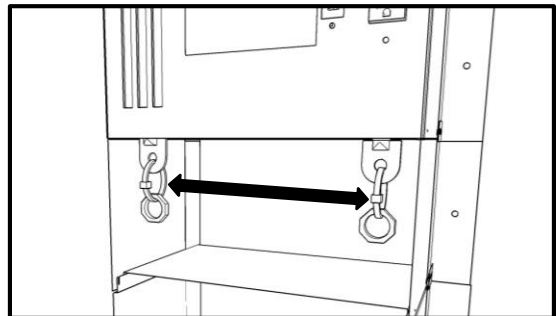


### 1200-Watt Units (SACS12XX) Only:

Once the wall fasteners are all in-place, secure the cabinet to the wall using the 1/4" - 20 anchor bolts:



Once the battery cabinet is securely fastened to the wall, cut the two tie wraps that hold the "nut rings" attached to the battery lugs as shown:

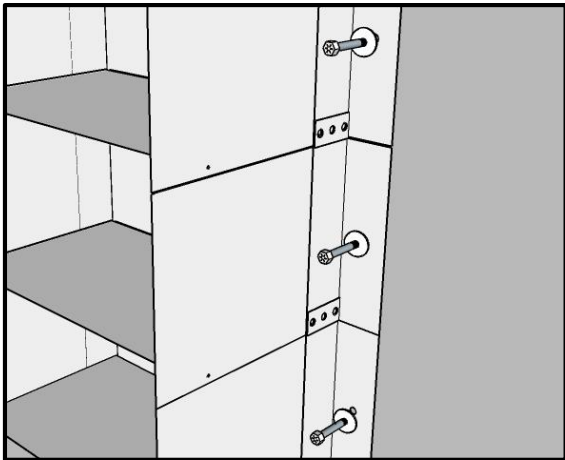


Then push the terminals upward allowing the top battery to slide into the upper compartment. Proceed to Installing the Batteries on page 11.

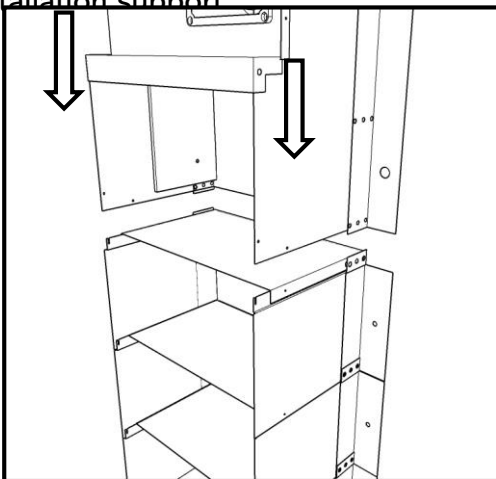
## 6) Mounting & Securing the Cabinet

### 5) Units Larger than 1200 Watts (SACS20XX, SACS31XX, SACS40XX, SACS44XX) Only:

Once the wall fasteners are all in-place, secure the cabinet to the wall using the 1/4 -20 anchor bolts with the fender washers:



Once the battery cabinet is securely fastened place the upper cabinet onto the lower cabinet. The upper cabinet will be supported with the temporary wooden installation support.



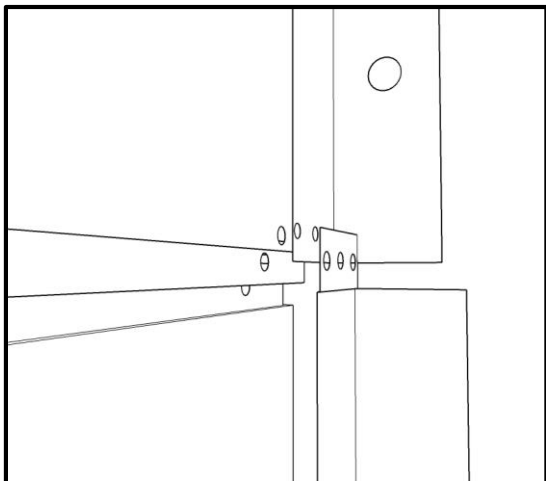
### 1200-Watt Units (SACS12XX) Only:



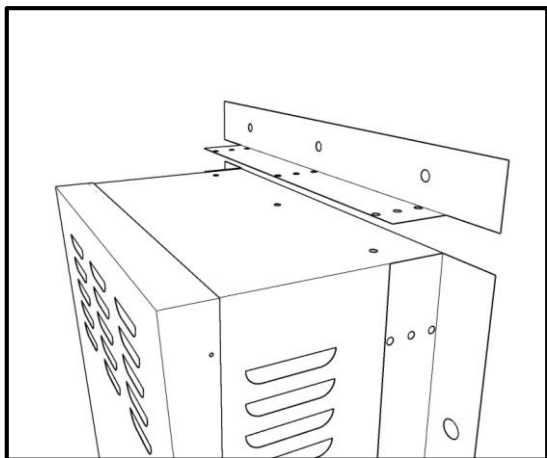
## 7) Installing the Upper Cabinet

**Units Larger than 1200 Watts  
(SACS20XX, SACS31XX,  
SACS40XX, SACS44XX) Only:**

The upper cabinet shell should surround the outside of the top battery box shelf but be positioned behind the top ear of the side angle bracket as shown:



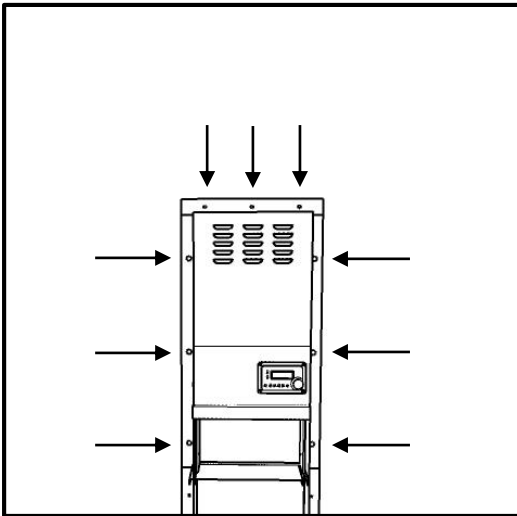
Install the top angle bracket to the upper cabinet.



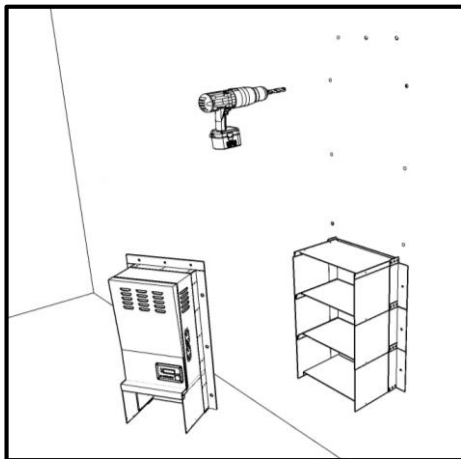
## 8) Fasten the Top Cabinet

**Units Larger than 1200 Watts  
(SACS20XX, SACS31XX,  
SACS40XX, SACS44XX) Only:**

Mark the wall where the 6 mounting holes are located along each sides of the upper cabinet mounting angles, and the 3 holes along the top mounting angle.



Remove the top cabinet, set it aside while you drill each of the 9 marked holes with a  $\frac{1}{2}$ " drill bits.

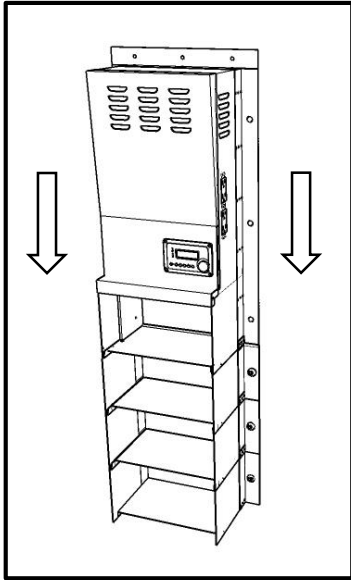


Install the wall toggle fasteners in each  $\frac{1}{2}$ " hole securing them to the metal studs.

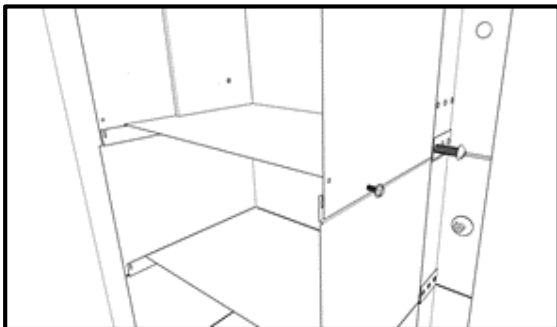
## 9) Figure Upper Cabinet :

### 5) Units Larger than 1200 Watts (SACS20XX, SACS31XX, SACS40XX, SACS44XX)

Re-Position the Upper cabinet onto the lower cabinet.



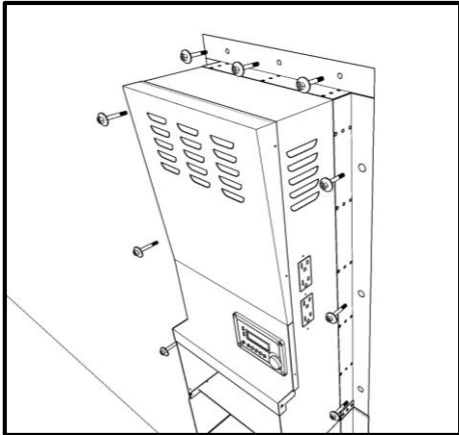
Install the 2  $\frac{1}{4}$ -20 Philips pan head bolts and 2 # 8 self drilling sheet metal screws on each side of the cabinet securing the upper lower cabinet to the lower cabinet.



# 10 Complete Cabinet Installation:

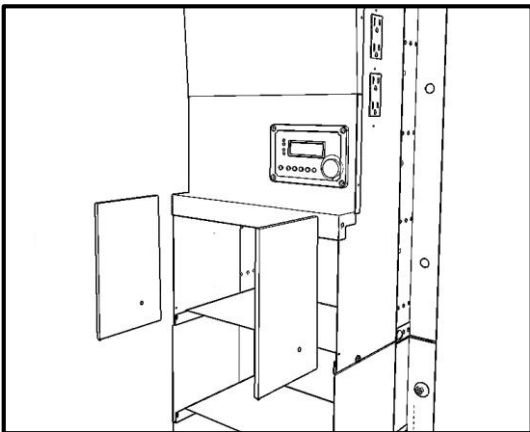
## Units Larger than 1200 Watts (SACS20XX, SACS31XX, SACS40XX, SACS44XX) Only:

Finish securing the upper cabinet to the wall using the 9 3/8" anchor bolts,



**If Necessary:** Also mark out the bottom rail. This is only necessary if the unit is mounted high enough that the bottom edge is visible. In order to do so you will need to drill 1/8" holes and use the self driller screws to fasten it to the bottom battery shelf.

Remove and discard the Installation Blocks.



Now that the full cabinet is secured in place, it is now time to install the batteries.

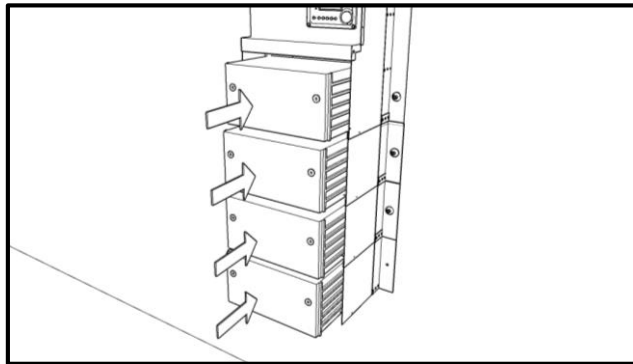
# 11) Battery Installation:

## Installing batteries:

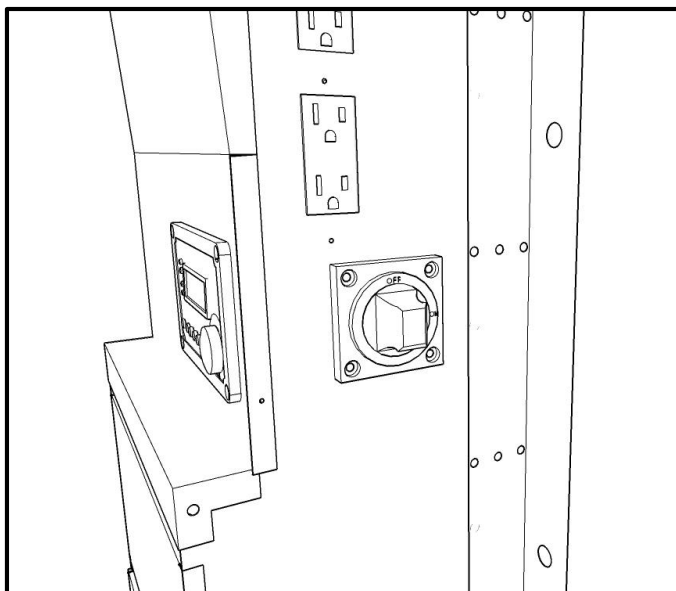
**IMPORTANT:** If your system is a 1200 or 2000 watt system, be sure that the inverter is switched over to “Line / Charge Only” while hooking up the batteries.

Also be sure the unit remains unplugged prior to installing batteries.

For 24 & 48 Volt units be sure to turn the red DC connection switch or Off prior to making any battery connections.

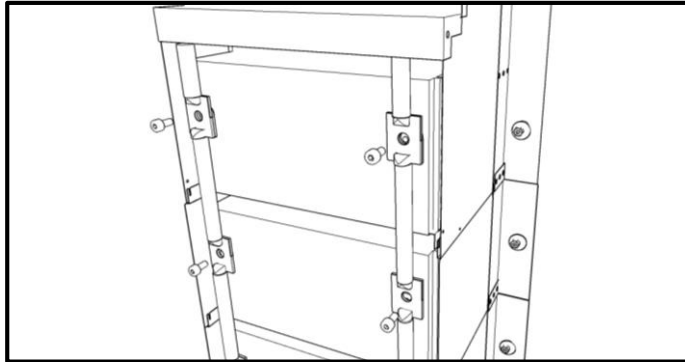


Unpackage each battery and slide them into each compartment with the terminals facing outward and the positive terminal on the right side.



# 11) Battery Installation:

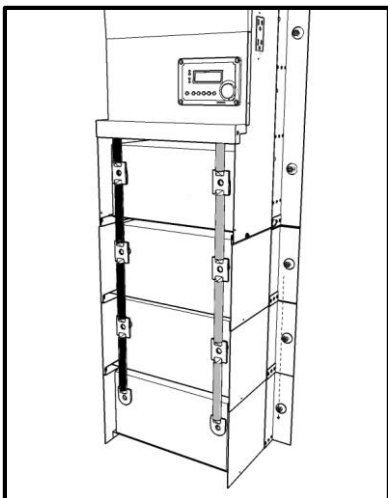
Note: You may experience a small arch while making the connecting the inverter cables:



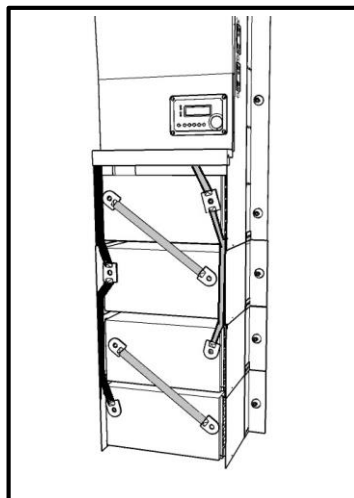
It is important that you install your battery cables correctly, 1200, 2000, and 3100-watt systems use a 12 volt configuration, 4000 watt systems use a 24 volt configuration and 4400 watt units use a 48 volt configuration.

Refer to following page to ensure that you install the batteries correctly:

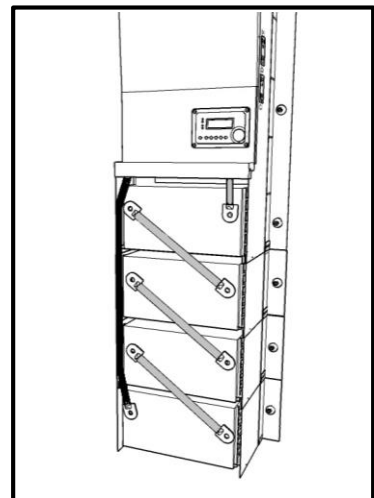
## Battery Cable Configurations:



**12 Volt**



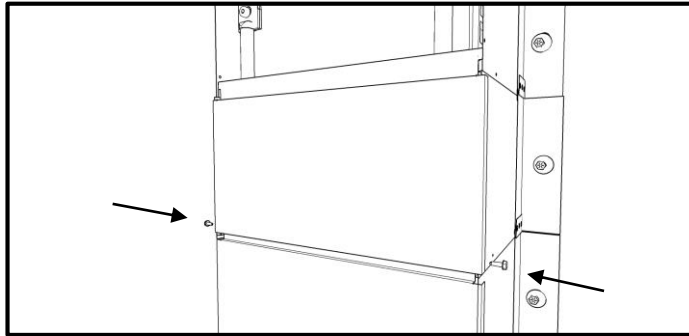
**24 Volt**



**48 Volt**

## Battery Installation:

Reinstall the battery box covers, starting with the bottom cover first, reusing the #8 self drilling hex nut sheet metal screws.



You have now fully assembled the system; you will need to test it. Please refer to the User and Testing Guide and follow the Startup and testing procedures.

