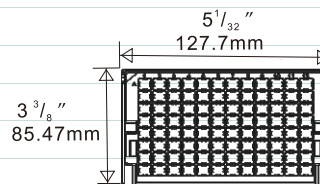


Vertical Rack



H: $1^{15}/16$ " - $1^{1}/8$ " (23.8-28.45mm)

For Matrix

500µl (0.5ml) Latch Rack (H= $1^{1}/16$ inch / 27.48mm)

For Micronic

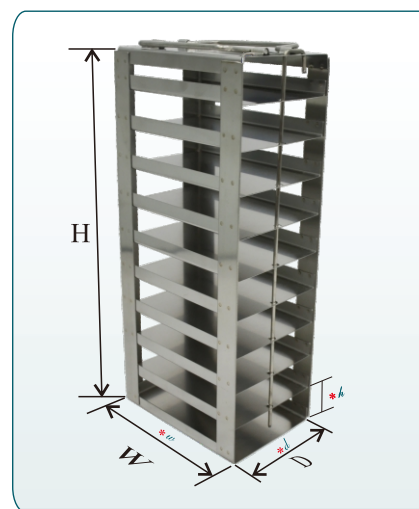
Loborack-96 with Low Cover (H= $1^{15}/16$ inch / 23.8mm)

For Fluidx

Low Profile 96-Format Rack for all 0.5ml and 0.75ml Tube with Low Profile Lid (H=1 inch / 26.0mm)

For Abgene

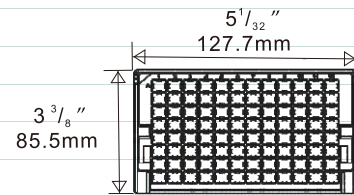
0.3ml 2D Barcoded Storage Rack (H= $1^{1}/8$ inch / 28.45mm)



- ◆ Made of corrosion resistant stainless steel.
- ◆ Locking rods are included.

Part Number	Dimension H x D x W	Compartment Size h x d x w	Capacity	Shipping Weight(Ib/Kg)
CFMM-10	$12^{3}/8 \times 3^{5}/8 \times 5^{1}/2$ inch 315 x 92 x 140 mm	$1^{3}/16 \times 3^{7}/16 \times 5^{3}/16$ inch 30 x 88 x 132 mm	10	2.3 / 1.06
CFMM-11	$13^{5}/8 \times 3^{5}/8 \times 5^{1}/2$ inch 345.6 x 92 x 140 mm	$1^{3}/16 \times 3^{7}/16 \times 5^{3}/16$ inch 30 x 88 x 132 mm	11	2.5 / 1.15
CFMM-12	$14^{13}/16 \times 3^{5}/8 \times 5^{1}/2$ inch 376.3 x 92 x 140 mm	$1^{3}/16 \times 3^{7}/16 \times 5^{3}/16$ inch 30 x 88 x 132 mm	12	2.7 / 1.24
CFMM-13	$16 \times 3^{5}/8 \times 5^{1}/2$ inch 407 x 92 x 140 mm	$1^{3}/16 \times 3^{7}/16 \times 5^{3}/16$ inch 30 x 88 x 132 mm	13	2.9 / 1.33
CFMM-14	$17^{1}/4 \times 3^{5}/8 \times 5^{1}/2$ inch 437.7 x 92 x 140 mm	$1^{3}/16 \times 3^{7}/16 \times 5^{3}/16$ inch 30 x 88 x 132 mm	14	3.1 / 1.42
CFMM-15	$18^{7}/16 \times 3^{5}/8 \times 5^{1}/2$ inch 468.4 x 92 x 140 mm	$1^{3}/16 \times 3^{7}/16 \times 5^{3}/16$ inch 30 x 88 x 132 mm	15	3.3 / 1.51
CFMM-16	$19^{5}/8 \times 3^{5}/8 \times 5^{1}/2$ inch 499 x 92 x 140 mm	$1^{3}/16 \times 3^{7}/16 \times 5^{3}/16$ inch 30 x 88 x 132 mm	16	3.5 / 1.61
CFMM-17	$20^{7}/8 \times 3^{5}/8 \times 5^{1}/2$ inch 529.8 x 92 x 140 mm	$1^{3}/16 \times 3^{7}/16 \times 5^{3}/16$ inch 30 x 88 x 132 mm	17	3.7 / 1.70
CFMM-18	$22^{1}/16 \times 3^{5}/8 \times 5^{1}/2$ inch 560.5 x 92 x 140 mm	$1^{3}/16 \times 3^{7}/16 \times 5^{3}/16$ inch 30 x 88 x 132 mm	18	3.9 / 1.79
CFMM-19	$23^{1}/4 \times 3^{5}/8 \times 5^{1}/2$ inch 591.2 x 92 x 140 mm	$1^{3}/16 \times 3^{7}/16 \times 5^{3}/16$ inch 30 x 88 x 132 mm	19	4.1 / 1.88
CFMM-20	$24^{1}/2 \times 3^{5}/8 \times 5^{1}/2$ inch 622 x 92 x 140 mm	$1^{3}/16 \times 3^{7}/16 \times 5^{3}/16$ inch 30 x 88 x 132 mm	20	4.3 / 1.97

Vertical Rack



For Micronic

Loborack-96 with Standard Cover (H=1¹/₄inch / 31.7mm)

Loborack-96 with High Cover (H=1¹/₂inch / 38.7mm)

For Fluidx

Low Profile 96-Format Rack for all 0.5ml and 0.75ml Tube with Standard Profile Lid (H=1⁵/₁₆inch / 32.9mm)

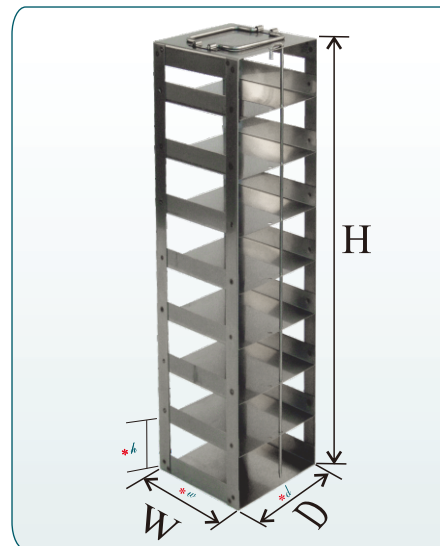
96-Format Rack for Tube with Protective Jacket with Low Cover (H=1¹/₂inch / 38mm)

For Abgene

0.5ml 2D Barcoded Lock Storage Tube Rack (H=1¹/₂inch / 38.5mm)

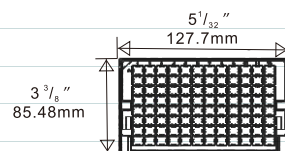
0.6ml 2D Barcoded Storage Tube Rack (H=1¹/₂inch / 38.5mm)

- ◆ Made of corrosion resistant stainless steel.
- ◆ Locking rods are included.



Part Number	Dimension H x D x W	Compartment Size h x d x w	Capacity	Shipping Weight(lb/Kg)
CFML-9	15 ¹ / ₄ x 3 ⁵ / ₈ x 5 ¹ / ₂ inch 388 x 92 x 140 mm	1 ⁵ / ₈ x 3 ⁷ / ₁₆ x 5 ³ / ₁₆ inch 41 x 88 x 132 mm	9	2.4 / 1.07
CFML-10	16 ¹⁵ / ₁₆ x 3 ⁵ / ₈ x 5 ¹ / ₂ inch 430 x 92 x 140 mm	1 ⁵ / ₈ x 3 ⁷ / ₁₆ x 5 ³ / ₁₆ inch 41 x 88 x 132 mm	10	2.6 / 1.17
CFML-11	18 ⁹ / ₁₆ x 3 ⁵ / ₈ x 5 ¹ / ₂ inch 472 x 92 x 140 mm	1 ⁵ / ₈ x 3 ⁷ / ₁₆ x 5 ³ / ₁₆ inch 41 x 88 x 132 mm	11	2.8 / 1.27
CFML-12	20 ¹ / ₄ x 3 ⁵ / ₈ x 5 ¹ / ₂ inch 514.3 x 92 x 140 mm	1 ⁵ / ₈ x 3 ⁷ / ₁₆ x 5 ³ / ₁₆ inch 41 x 88 x 132 mm	12	3.0 / 1.37
CFML-13	21 ¹⁵ / ₁₆ x 3 ⁵ / ₈ x 5 ¹ / ₂ inch 557 x 92 x 140 mm	1 ⁵ / ₈ x 3 ⁷ / ₁₆ x 5 ³ / ₁₆ inch 41 x 88 x 132 mm	13	3.2 / 1.47
CFML-14	23 ⁹ / ₁₆ x 3 ⁵ / ₈ x 5 ¹ / ₂ inch 598.7 x 92 x 140 mm	1 ⁵ / ₈ x 3 ⁷ / ₁₆ x 5 ³ / ₁₆ inch 41 x 88 x 132 mm	14	3.4 / 1.56
CFML-15	25 ¹ / ₄ x 3 ⁵ / ₈ x 5 ¹ / ₂ inch 641 x 92 x 140 mm	1 ⁵ / ₈ x 3 ⁷ / ₁₆ x 5 ³ / ₁₆ inch 41 x 88 x 132 mm	15	3.7 / 1.68
CFML-16	26 ⁷ / ₈ x 3 ⁵ / ₈ x 5 ¹ / ₂ inch 683 x 92 x 140 mm	1 ⁵ / ₈ x 3 ⁷ / ₁₆ x 5 ³ / ₁₆ inch 41 x 88 x 132 mm	16	3.9 / 1.78

Vertical Rack



H: $\frac{9}{16}$ " - $1 \frac{3}{4}$ " (14.4-44.32mm)

For Matrix

500 μ l Screw-Top Latch Rack (H=1 $\frac{3}{4}$ inch / 44.32mm)

0.75ml Latch Rack (H=1 $\frac{1}{2}$ inch / 39.37mm)

For Micronic

Roborack-96 with Low Cover (H=1 $\frac{5}{8}$ inch / 41.2mm)

For Fluidx

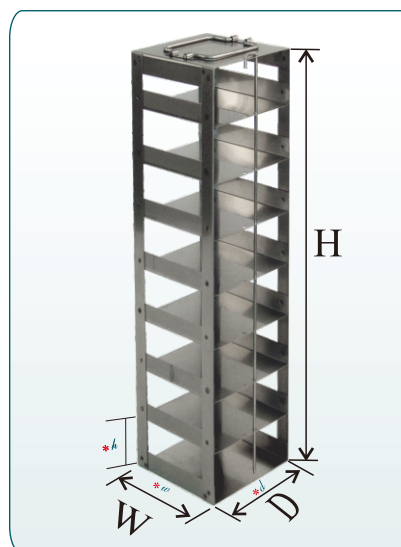
384-Format Rack for Square Tube (H= $\frac{9}{16}$ inch / 14.4mm, each compartment holds 3 racks.)

Low Profile 96-Format Rack for all 0.5ml and 0.75ml Tube with Tall Profile Lid

(H=1 $\frac{3}{4}$ inch / 43.87mm)

96-Format Rack for 1.0ml Tube with Low Profile Lid (H=1 $\frac{3}{4}$ inch / 43.9mm)

96-Format Rack for Tube with Protective Jacket with Standard Profile Lid (H=1 $\frac{3}{4}$ inch / 44mm)

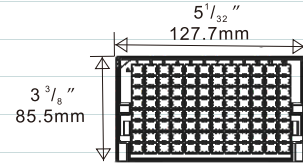


- ◆ Made of corrosion resistant stainless steel.
- ◆ Locking rods are included.

Part Number	Dimension H x D x W	Compartment Size h x d x w	Capacity	Lock Device Option*	Shipping Weight(lb/Kg)
CFDP-9	16 $\frac{3}{8}$ x 3 $\frac{5}{8}$ x 5 $\frac{1}{2}$ inch 423 x 92 x 140 mm	1 $\frac{13}{16}$ x 3 $\frac{7}{16}$ x 5 $\frac{3}{16}$ inch 45.5 x 88 x 131.5 mm	9	DR-15	3.1 / 1.39
CFDP-10	18 $\frac{7}{16}$ x 3 $\frac{5}{8}$ x 5 $\frac{1}{2}$ inch 469 x 92 x 140 mm	1 $\frac{13}{16}$ x 3 $\frac{7}{16}$ x 5 $\frac{3}{16}$ inch 45.5 x 88 x 131.5 mm	10	DR-17	3.3 / 1.48
CFDP-11	20 $\frac{1}{4}$ x 3 $\frac{5}{8}$ x 5 $\frac{1}{2}$ inch 515 x 92 x 140 mm	1 $\frac{13}{16}$ x 3 $\frac{7}{16}$ x 5 $\frac{3}{16}$ inch 45.5 x 88 x 131.5 mm	11	DR-19	3.5 / 1.61
CFDP-12	22 $\frac{1}{8}$ x 3 $\frac{5}{8}$ x 5 $\frac{1}{2}$ inch 562 x 92 x 140 mm	1 $\frac{13}{16}$ x 3 $\frac{7}{16}$ x 5 $\frac{3}{16}$ inch 45.5 x 88 x 131.5 mm	12	DR-22	3.8 / 1.73
CFDP-13	23 $\frac{15}{16}$ x 3 $\frac{5}{8}$ x 5 $\frac{1}{2}$ inch 608 x 92 x 140 mm	1 $\frac{13}{16}$ x 3 $\frac{7}{16}$ x 5 $\frac{3}{16}$ inch 45.5 x 88 x 131.5 mm	13	DR-23	4.1 / 1.86
CFDP-14	25 $\frac{3}{4}$ x 3 $\frac{5}{8}$ x 5 $\frac{1}{2}$ inch 654 x 92 x 140 mm	1 $\frac{13}{16}$ x 3 $\frac{7}{16}$ x 5 $\frac{3}{16}$ inch 45.5 x 88 x 131.5 mm	14	DR-25	4.4 / 1.99
CFDP-15	27 $\frac{9}{16}$ x 3 $\frac{5}{8}$ x 5 $\frac{1}{2}$ inch 700 x 92 x 140 mm	1 $\frac{13}{16}$ x 3 $\frac{7}{16}$ x 5 $\frac{3}{16}$ inch 45.5 x 88 x 131.5 mm	15	DR-27	4.7 / 2.12
CFDP-16	29 $\frac{7}{16}$ x 3 $\frac{5}{8}$ x 5 $\frac{1}{2}$ inch 747 x 92 x 140 mm	1 $\frac{13}{16}$ x 3 $\frac{7}{16}$ x 5 $\frac{3}{16}$ inch 45.5 x 88 x 131.5 mm	16	DR-29	5.0 / 2.25

* Lock device is ordered separately.

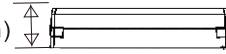
Vertical Rack



For Matrix

1.4ml Latch Rack (H=1¹⁵/₁₆inch / 49.84mm)

H: 1¹/₁₆" - 2¹/₈₂" (17.3-53.5mm)



For Micronic

Roborack-96 with Standard Cover (H=1¹⁵/₁₆inch / 49.1mm)

Comorack-96 (H=2 inch / 52mm)

Comorack-24 (H=2 inch / 52mm)

For Fluidx

384-Format Rack for Round Tube (H=1¹¹/₁₆inch / 17.1mm, each compartment holds 3 racks.)

96-Format Rack for 1.0ml and 1.4ml Tube with Standard Profile Lid (H=2 inch / 50.8mm)

48-Format Rack for Cryo Tube with Standard Profile Lid (H=2¹/₁₆inch / 52.8mm)

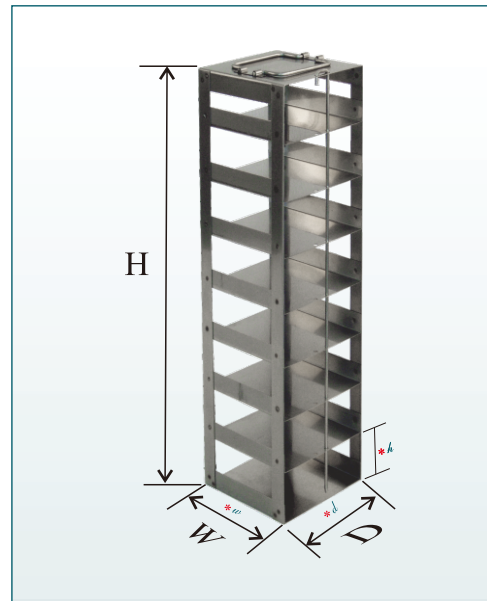
48-Format Rack for Glass Tube (H=2 inch / 51.6mm)

For Abgene

2.0ml 2D Barcoded Screw Cap Storage Tube Rack (H=2 inch / 52.5mm)

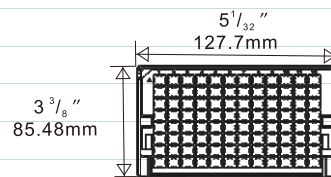
1.0ml 2D Barcoded Twist Lock Storage Tube Rack (H=2¹/₈inch / 53.5mm)

- ◆ Made of corrosion resistant stainless steel.
- ◆ Locking rods are included.



Part Number	Dimension H x D x W	Compartment Size h x d x w	Capacity	Shipping Weight(lb/Kg)
CFTB-8	17 ¹⁵ / ₁₆ x 3 ⁵ / ₈ x 5 ¹ / ₂ inch 455 x 92 x 140 mm	2 ³ / ₁₆ x 3 ⁷ / ₁₆ x 5 ³ / ₁₆ inch 55.6 x 88 x 131.5 mm	8	2.8 / 1.27
CFTB-9	20 ³ / ₁₆ x 3 ⁵ / ₈ x 5 ¹ / ₂ inch 512 x 92 x 140 mm	2 ³ / ₁₆ x 3 ⁷ / ₁₆ x 5 ³ / ₁₆ inch 55.6 x 88 x 131.5 mm	9	3.1 / 1.41
CFTB-10	22 ³ / ₈ x 3 ⁵ / ₈ x 5 ¹ / ₂ inch 568 x 92 x 140 mm	2 ³ / ₁₆ x 3 ⁷ / ₁₆ x 5 ³ / ₁₆ inch 55.6 x 88 x 131.5 mm	10	3.4 / 1.55
CFTB-11	24 ⁹ / ₁₆ x 3 ⁵ / ₈ x 5 ¹ / ₂ inch 624 x 92 x 140 mm	2 ³ / ₁₆ x 3 ⁷ / ₁₆ x 5 ³ / ₁₆ inch 55.6 x 88 x 131.5 mm	11	3.7 / 1.68
CFTB-12	26 ³ / ₄ x 3 ⁵ / ₈ x 5 ¹ / ₂ inch 680 x 92 x 140 mm	2 ³ / ₁₆ x 3 ⁷ / ₁₆ x 5 ³ / ₁₆ inch 55.6 x 88 x 131.5 mm	12	4.0 / 1.82
CFTB-13	29 x 3 ⁵ / ₈ x 5 ¹ / ₂ inch 736 x 92 x 140 mm	2 ³ / ₁₆ x 3 ⁷ / ₁₆ x 5 ³ / ₁₆ inch 55.6 x 88 x 131.5 mm	13	4.3 / 1.96

Vertical Rack



For Matrix

1.0ml Screw-Top Latch Rack (H=2³/₁₆inch / 54.8mm)

For Micronic

Roborack-96 with High Cover (H=2¹/₄inch / 56.1mm)

For Fluidx

96-Format Rack for Tube with Protective Jacket with Tall Profile Lid (H=2³/₁₆inch / 55mm)

24-Format Rack (H=2¹/₄inch / 56mm)

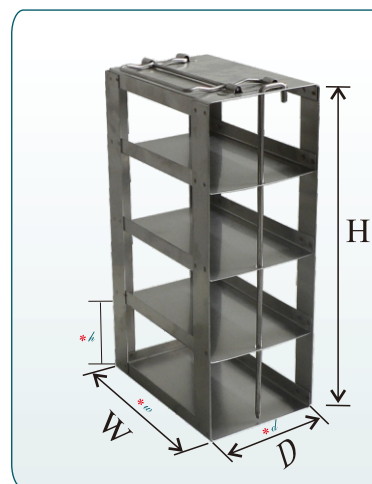
96-Format Tube Rack for 1.0ml and 1.4ml Tube with Tall Profile Lid (H=2⁷/₁₆inch / 61.8mm)

For Abgene

1.2ml 2D Barcoded Tube in Stackable Rack (H=2¹/₄inch / 56.13mm)

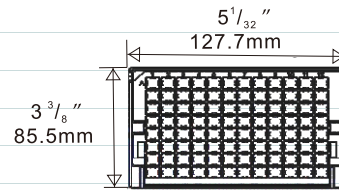
1.2ml 2D Barcoded Storage Tube Rack (H=2¹/₄inch / 56.13mm)

- ◆ Made of corrosion resistant stainless steel.
- ◆ Locking rods are included.



Part Number	Dimension H x D x W	Compartment Size h x d x w	Capacity	Shipping Weight(lb/Kg)
CFMX-4-2	10 ¹ / ₄ x 3 ³ / ₈ x 5 ¹ / ₂ inch 260 x 92 x 140 mm	2 ¹ / ₂ x 3 ⁷ / ₁₆ x 5 ¹ / ₈ inch 62.5 x 88 x 130 mm	4	1.4 / 0.62
CFMX-5-2	12 ¹¹ / ₁₆ x 3 ³ / ₈ x 5 ¹ / ₂ inch 323 x 92 x 140 mm	2 ¹ / ₂ x 3 ⁷ / ₁₆ x 5 ¹ / ₈ inch 62.5 x 88 x 130 mm	5	1.6 / 0.74
CFMX-6-2	15 ³ / ₁₆ x 3 ³ / ₈ x 5 ¹ / ₂ inch 386 x 92 x 140 mm	2 ¹ / ₂ x 3 ⁷ / ₁₆ x 5 ¹ / ₈ inch 62.5 x 88 x 130 mm	6	1.9 / 0.86
CFMX-7-2	17 ¹¹ / ₁₆ x 3 ³ / ₈ x 5 ¹ / ₂ inch 449 x 92 x 140 mm	2 ¹ / ₂ x 3 ⁷ / ₁₆ x 5 ¹ / ₈ inch 62.5 x 88 x 130 mm	7	2.2 / 0.98
CFMX-8-2	20 ³ / ₁₆ x 3 ³ / ₈ x 5 ¹ / ₂ inch 512 x 92 x 140 mm	2 ¹ / ₂ x 3 ⁷ / ₁₆ x 5 ¹ / ₈ inch 62.5 x 88 x 130 mm	8	2.4 / 1.10
CFMX-9-2	22 ⁵ / ₈ x 3 ³ / ₈ x 5 ¹ / ₂ inch 575 x 92 x 140 mm	2 ¹ / ₂ x 3 ⁷ / ₁₆ x 5 ¹ / ₈ inch 62.5 x 88 x 130 mm	9	2.7 / 1.22
CFMX-10-2	25 ¹ / ₈ x 3 ³ / ₈ x 5 ¹ / ₂ inch 638 x 92 x 140 mm	2 ¹ / ₂ x 3 ⁷ / ₁₆ x 5 ¹ / ₈ inch 62.5 x 88 x 130 mm	10	3.0 / 1.34
CFMX-11-2	27 ⁵ / ₈ x 3 ³ / ₈ x 5 ¹ / ₂ inch 701 x 92 x 140 mm	2 ¹ / ₂ x 3 ⁷ / ₁₆ x 5 ¹ / ₈ inch 62.5 x 88 x 130 mm	11	3.2 / 1.46
CFMX-12-2	30 ¹ / ₁₆ x 3 ³ / ₈ x 5 ¹ / ₂ inch 764 x 92 x 140 mm	2 ¹ / ₂ x 3 ⁷ / ₁₆ x 5 ¹ / ₈ inch 62.5 x 88 x 130 mm	12	3.5 / 1.58
CFMX-13-2	32 ⁹ / ₁₆ x 3 ³ / ₈ x 5 ¹ / ₂ inch 827 x 92 x 140mm	2 ¹ / ₂ x 3 ⁷ / ₁₆ x 5 ¹ / ₈ inch 62.5 x 88 x 130 mm	13	3.7 / 1.70

Vertical Rack

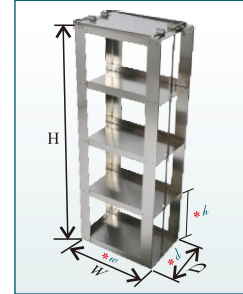


For Micronic

Roborack-96 with Extra High Cover (H=3⁷/₁₆ inch / 88.5mm)

For Fluidx

48-Format Rack for Cryo Tube with Tall Profile Lid (H=3⁷/₁₆ inch / 88.5mm)



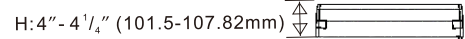
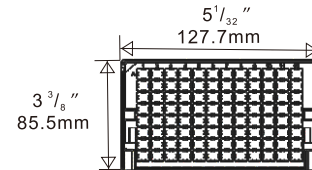
- ◆ Made of corrosion resistant stainless steel.
- ◆ Locking rods are included.

Part Number	Dimension H x D x W	Compartment Size h x d x w	Capacity	Shipping Weight(lb/Kg)
CFMH-4	14 ³ / ₄ x 3 ³ / ₈ x 5 ¹ / ₂ inch 374 x 92 x 140 mm	3 ⁹ / ₁₆ x 3 ⁷ / ₁₆ x 5 ³ / ₁₆ inch 91 x 88 x 132 mm	4	1.7 / 0.75
CFMH-5	18 ⁵ / ₁₆ x 3 ⁵ / ₈ x 5 ¹ / ₂ inch 465 x 92 x 140 mm	3 ⁹ / ₁₆ x 3 ⁷ / ₁₆ x 5 ³ / ₁₆ inch 91 x 88 x 132 mm	5	2.0 / 0.89
CFMH-6	21 ¹⁵ / ₁₆ x 3 ³ / ₈ x 5 ¹ / ₂ inch 557 x 92 x 140 mm	3 ⁹ / ₁₆ x 3 ⁷ / ₁₆ x 5 ³ / ₁₆ inch 91 x 88 x 132 mm	6	2.3 / 1.04
CFMH-7	25 ¹ / ₂ x 3 ⁵ / ₈ x 5 ¹ / ₂ inch 648 x 92 x 140 mm	3 ⁹ / ₁₆ x 3 ⁷ / ₁₆ x 5 ³ / ₁₆ inch 91 x 88 x 132 mm	7	2.6 / 1.18
CFMH-8	29 ¹ / ₈ x 3 ³ / ₈ x 5 ¹ / ₂ inch 740 x 92 x 140 mm	3 ⁹ / ₁₆ x 3 ⁷ / ₁₆ x 5 ³ / ₁₆ inch 91 x 88 x 132 mm	8	2.9 / 1.33
CFMH-9	32 ¹¹ / ₁₆ x 3 ⁵ / ₈ x 5 ¹ / ₂ inch 831 x 92 x 140 mm	3 ⁹ / ₁₆ x 3 ⁷ / ₁₆ x 5 ³ / ₁₆ inch 91 x 88 x 132 mm	9	3.3 / 1.48



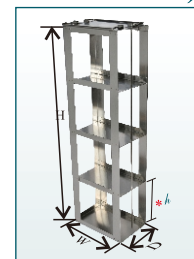
For Matrix

12ml Screw-Top Latch Rack Boxes (H=4¹/₄ inch / 107.82mm)



For Abgene

5.0ml 2D Barcoded Screw Cap Storage Tube Rack (H=4 inch / 101.5mm)



- ◆ Made of corrosion resistant stainless steel.
- ◆ Locking rods are included.

Part Number	Dimension H x D x W	Compartment Size h x d x w	Capacity	Shipping Weight(lb/Kg)
CFMR-4	17 ¹³ / ₁₆ x 3 ⁵ / ₈ x 5 ¹ / ₂ inch 453 x 92 x 140 mm	4 ⁵ / ₁₆ x 3 ⁷ / ₁₆ x 5 ³ / ₁₆ inch 110 x 88 x 132 mm	4	1.8 / 0.80
CFMR-5	22 ³ / ₁₆ x 3 ⁵ / ₈ x 5 ¹ / ₂ inch 564 x 92 x 140 mm	4 ⁵ / ₁₆ x 3 ⁷ / ₁₆ x 5 ³ / ₁₆ inch 110 x 88 x 132 mm	5	2.1 / 0.96
CFMR-6	26 ⁵ / ₈ x 3 ³ / ₈ x 5 ¹ / ₂ inch 676 x 92 x 140 mm	4 ⁵ / ₁₆ x 3 ⁷ / ₁₆ x 5 ³ / ₁₆ inch 110 x 88 x 132 mm	6	2.5 / 1.13
CFMR-7	31 x 3 ⁵ / ₈ x 5 ¹ / ₂ inch 787 x 92 x 140 mm	4 ⁵ / ₁₆ x 3 ⁷ / ₁₆ x 5 ³ / ₁₆ inch 110 x 88 x 132 mm	7	2.8 / 1.29