

## SMARTBOX®

### M2-SBFF-P SMARTBOX® Top Access Chamber

The M2-SBFF-PC automates a three-stage euthanasia cycle at the push of a button: charging, dwell time, and exhaust. At start of cycle, chamber lid automatically locks and will not unlock until CO<sub>2</sub> evacuation is complete. The clear polycarbonate windows provide visibility while the top-loading lid offers easy cage access. Airtight, gasket-sealed door prevents gas leakage during operation. The manifold design ensures even gas distribution. The system includes the mobile cart for ergonomic height when loading and unloading cages. Color-touch PLC screen allows easy operation.

#### Compliant with AVMA Guidelines

- Accommodates up to 62 shoebox mouse cages or 18 standard rat cages
- Single flow rate based on external CO<sub>2</sub> source
- Easy-to-use, interactive color-touch screen control
- After starting system, technician is free to do other work
- Presets can be customized based on facility requirements
- Automation virtually eliminates operator error
- Electronically monitored safety system prevents operation when chamber door is not properly closed
- Lid automatically locks during operation and unlocks following complete gas evacuation
- Automatic gas evacuation if system shuts down prior to cycle completion



#### Accessories



Heater Assembly  
Assembled using EA-1200,  
EA-629, and EA-265.



EA-265

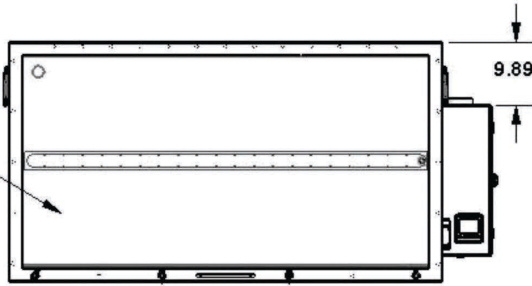


EA-629

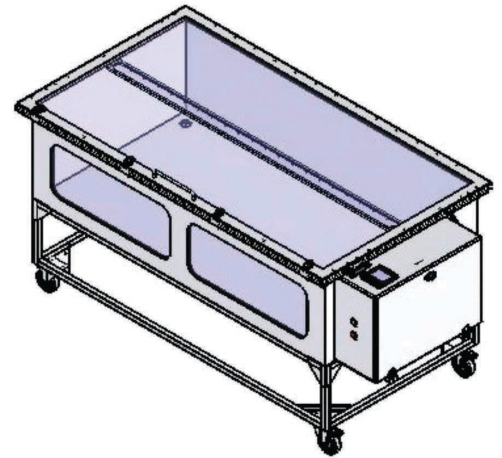
*M2-SBFF-P includes: SMARTBOX®  
Side Control Box, one M2 Chamber,  
Exhaust Blower, 8 feet of 4"  
Exhaust Tubing, two 4" Hose Clamps,  
Stainless Steel Mobile Cart*

SMARTBOX®

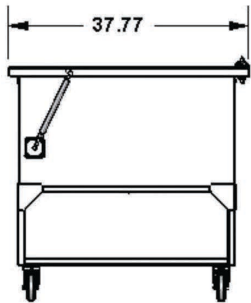
INSIDE CHAMBER  
DIMENSIONS  
64" L X 33" W X 17.50" H



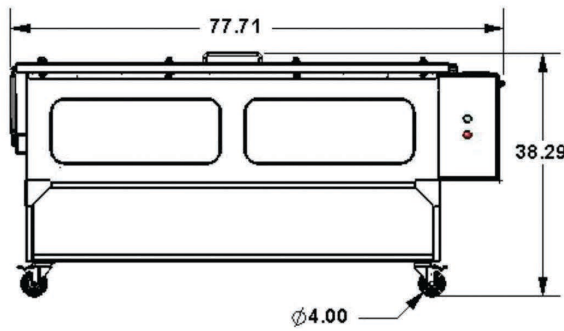
TOP VIEW



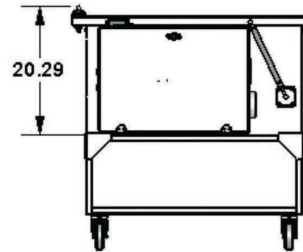
ISOMETRIC VIEW



LEFT SIDE VIEW



FRONT VIEW



RIGHT SIDE VIEW

**REQUIREMENTS**

ELECTRIC 120V 5 AMP  
FLOW RATE 250 CFH  
4" DUCT 85 CFM