

M1-SBFF-2FM SMARTBOX® Chamber System

SMARTBOX®

The M1-SBFF-2FM automates a three-stage euthanasia cycle at the push of a button: charging, dwell time, and exhaust. At start of cycle, doors automatically lock and will not unlock until CO₂ evacuation is complete. The clear polycarbonate doors provide visibility while the front-loading, swing-down design offers easy cage access. Airtight, gasket-sealed doors prevent gas leakage during operation. The manifold design ensures even gas distribution. The system accommodates the full range of rodent cages from all manufacturers.

Compliant with AVMA Guidelines

- Accommodates up to 40 shoebox mouse cages or 8 standard rat cages
- Operates either one or both chambers
- After starting system, technician is free to do other work
- Presets can be customized based on facility requirements
- Automation virtually eliminates operator error
- Electronically monitored safety system prevents operation when chamber door is not properly closed
- Doors automatically lock during operation and unlock after evacuation



Required Accessories (choose one):



EA-285
(use with cylinders)

or



FF-1130
(use with piped-in gas)



Pre-Mounted Flow Meter Included

M1-SBFF-2FM includes: SMARTBOX® Side Control Box, two M1 Chambers, Exhaust Blower, Flow Meter, 8' of 4" Exhaust Tubing, two 4" Hose

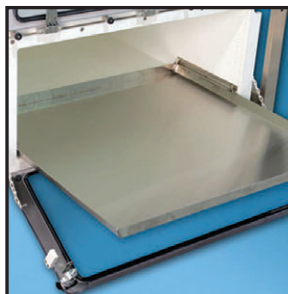
Optional Accessories



EA-1040



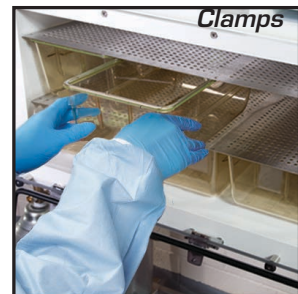
EA-1002



EA-5500

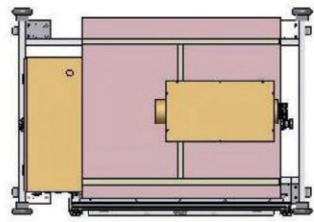


EZ-1336-C

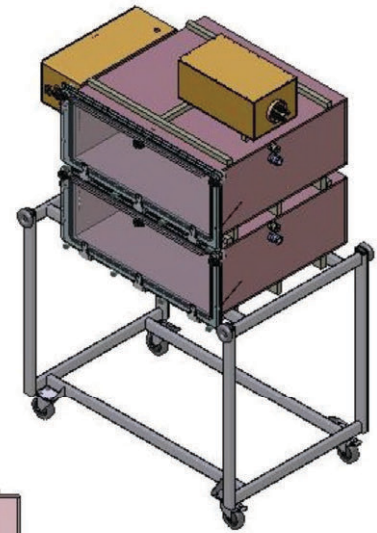


EA-1315

SMARTBOX®

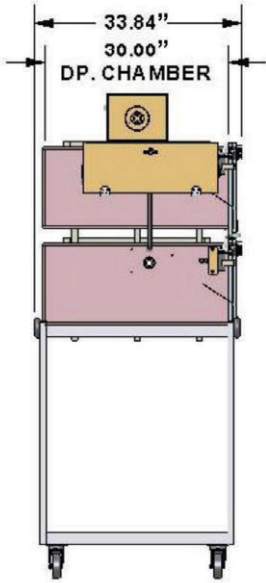


TOP VIEW

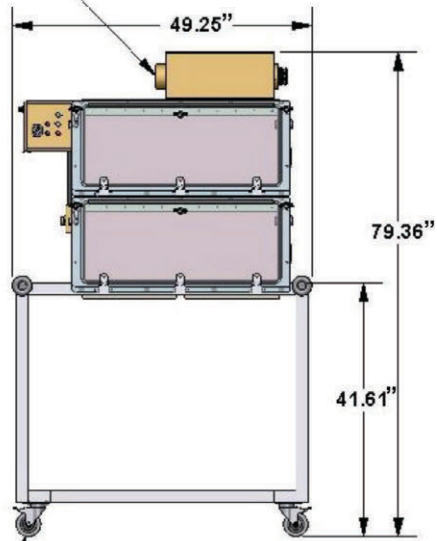


ISOMETRIC VIEW

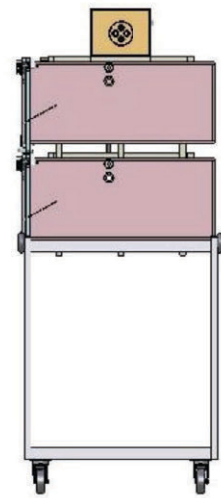
CONNECTS TO 4" HOUSE EXHAUST
REQUIRES 100 CFM



LEFT SIDE VIEW



FRONT VIEW



RIGHT SIDE VIEW

INSIDE CHAMBER DIMENSIONS

32.0" W X 30.5" D X 12.5" H

M1-SBFF-2

SMARTBOX CHAMBER SYSTEM

REQUIREMENTS	
ELECTRIC	120V 5 AMP
FLOW RATE	50 LPM OF CO2
4" DUCT	100 CFM