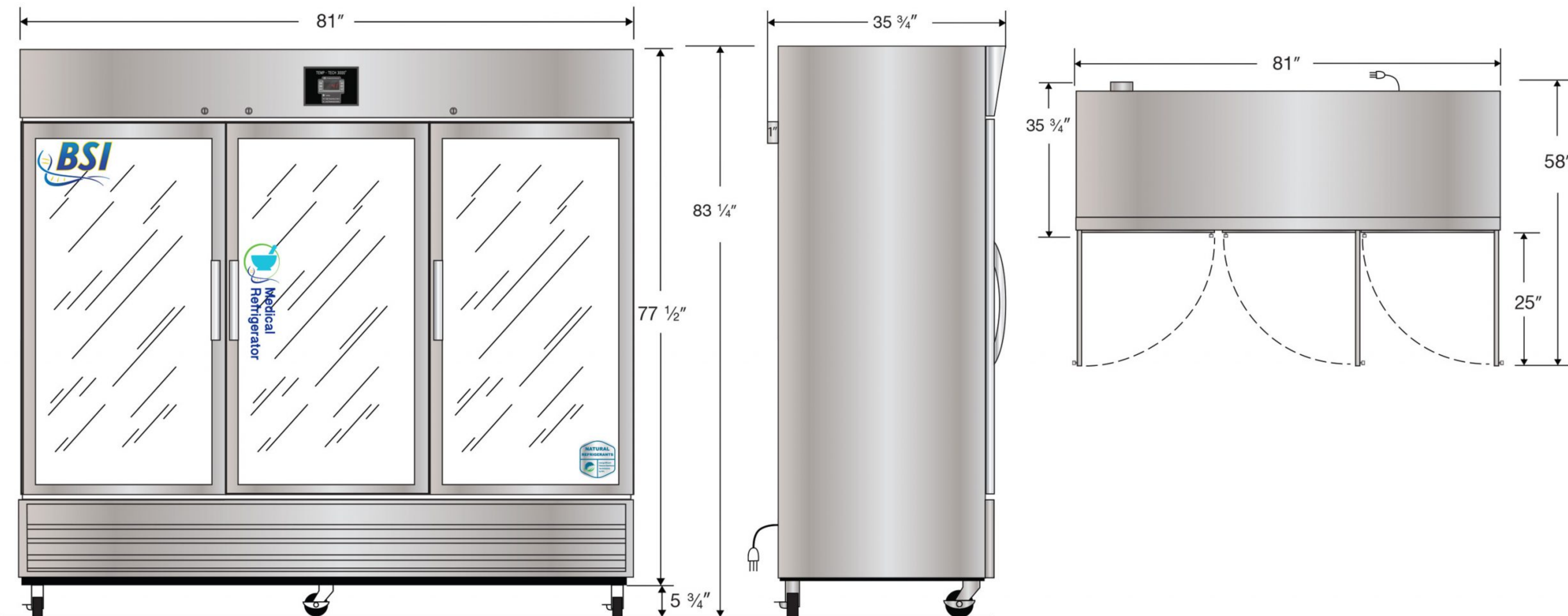


Exterior PH-BSI-HC-SSP-72G

Front View

Side View

Top View



115VAC/60Hz/1PH
NEMA-5-15P

Cu. Ft	Defrost	Door	Int Door	Shelves	W"	D"	H"	Refrigerant	H.P.	Amps	Weight
72	Cycle	3 Glass	0	12 Adj.	81	35 3/4	83 1/4	R290	1/2	7.5	725 lbs.