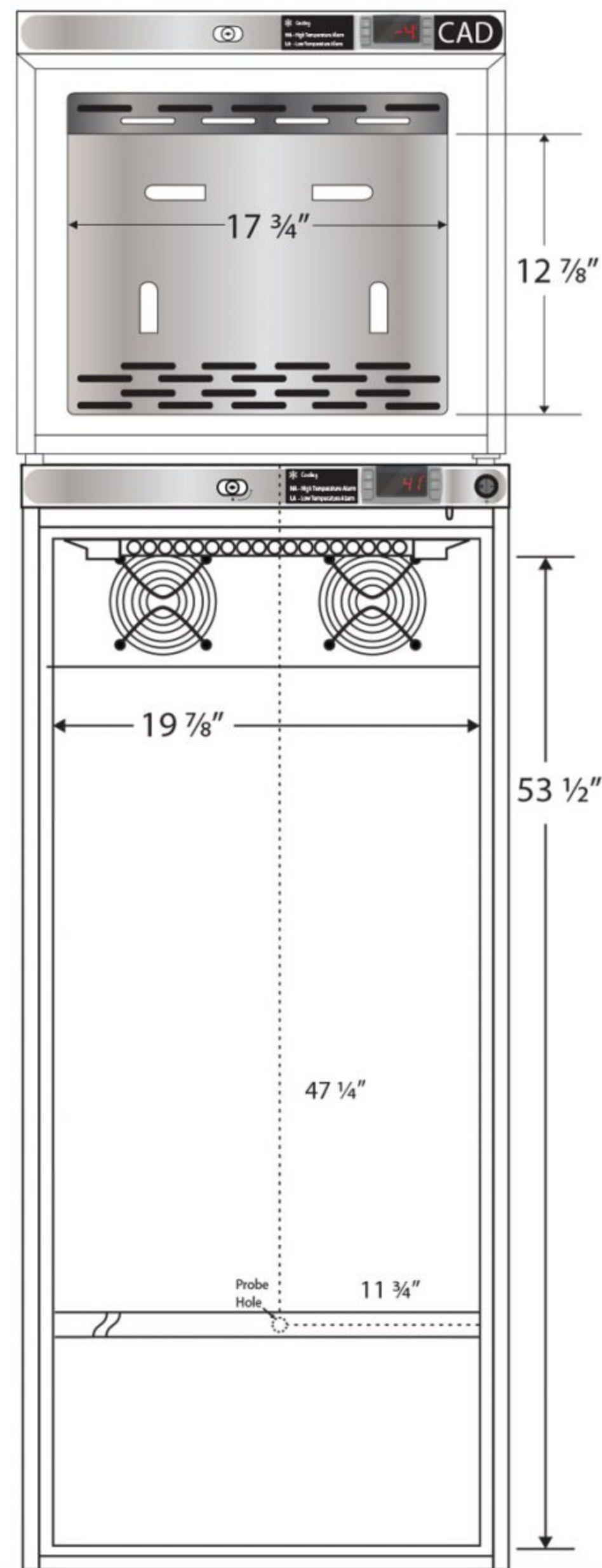




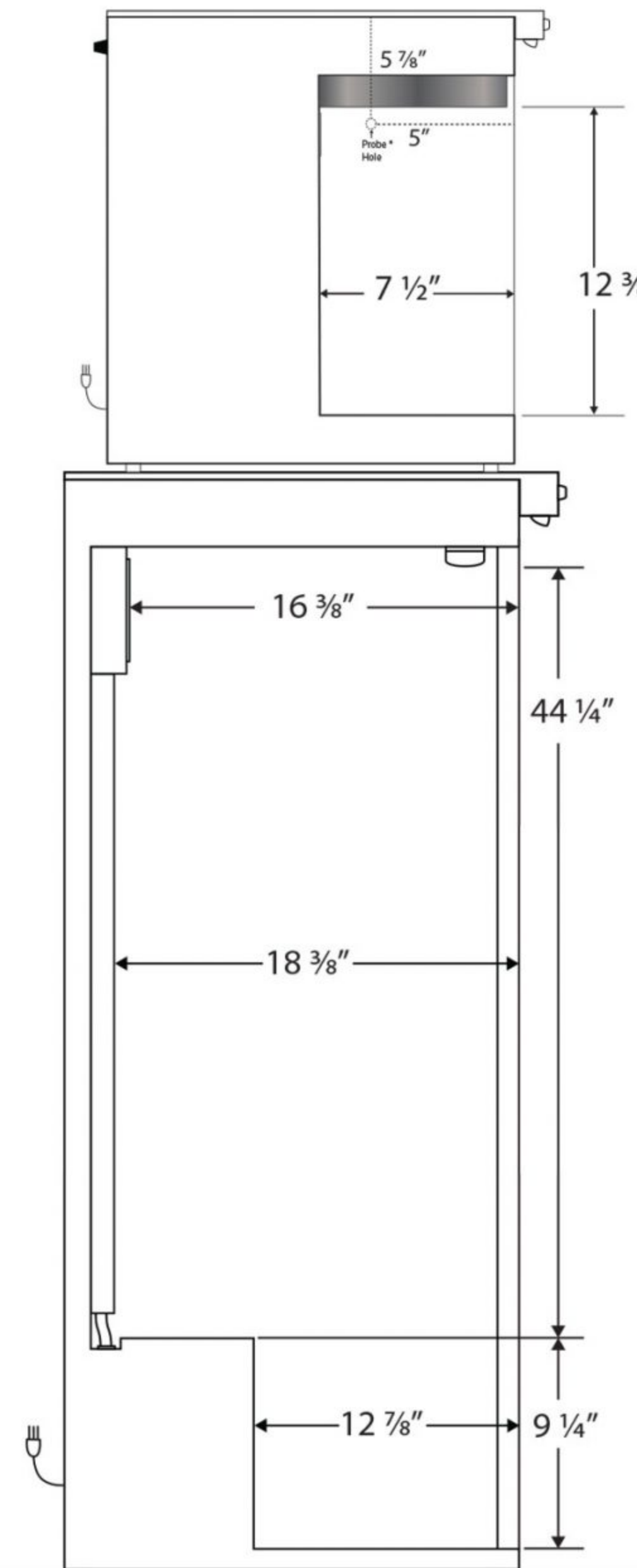
Interior PH-BSI-HC-RFC12GA-CAD

CUTSHEET

Front View



Side View



115VAC/60Hz/1PH
NEMA-5-15P

Compartment	Cu. Ft	Defrost	Door	Int Door	Shelves	Interior Dim.			Refrigerant	H.P.	Amps	Weight
						W"	D"	H"				
Freezer	1	Controlled Auto Cycle	1 Solid 1 Glass	0 0	2 Adj. 6 Adj.	17 3/4	7 1/2	12 3/8	R600a	1/8	1	246 lbs.
Refrigerator	10.5					19 7/8	18 3/8	53 1/2		1/3	2.3	

Note: Interior dimensions are estimates and subject to change without notice