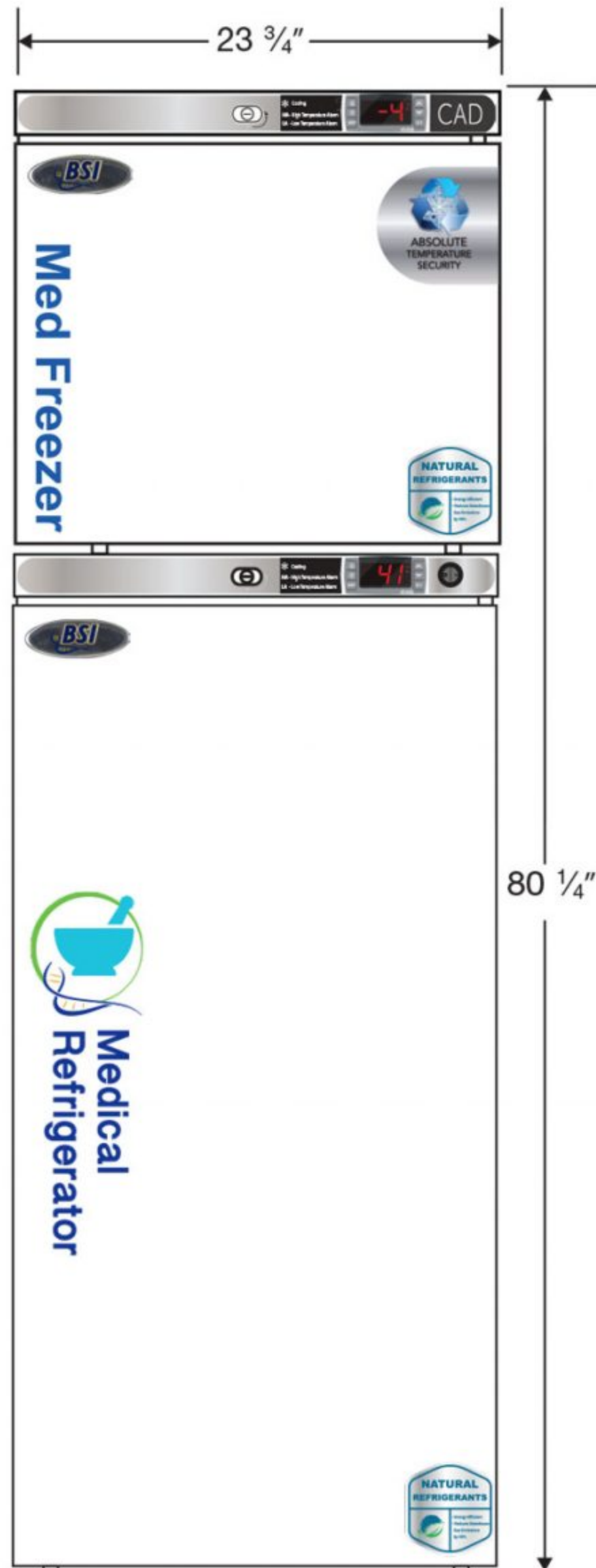




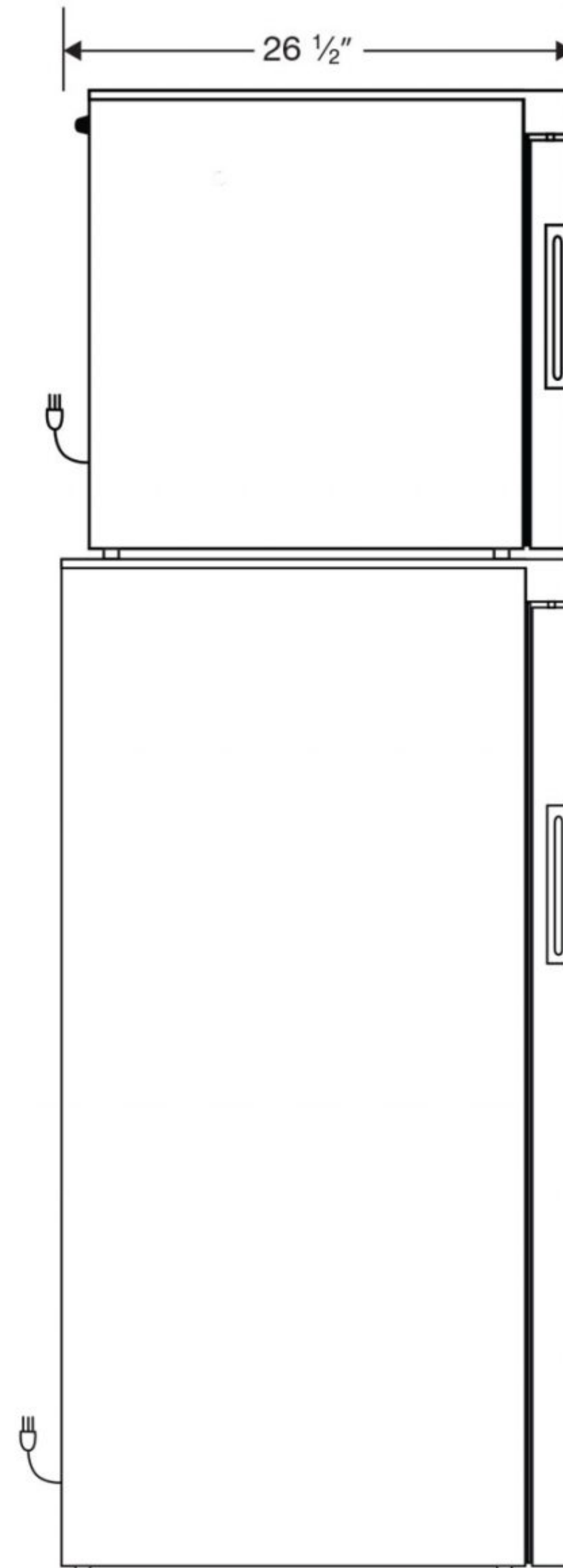
Exterior PH-BSI-HC-RFC12A-CAD

CUTSHEET

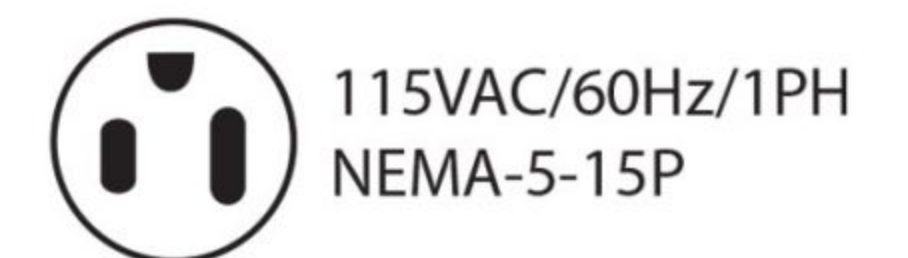
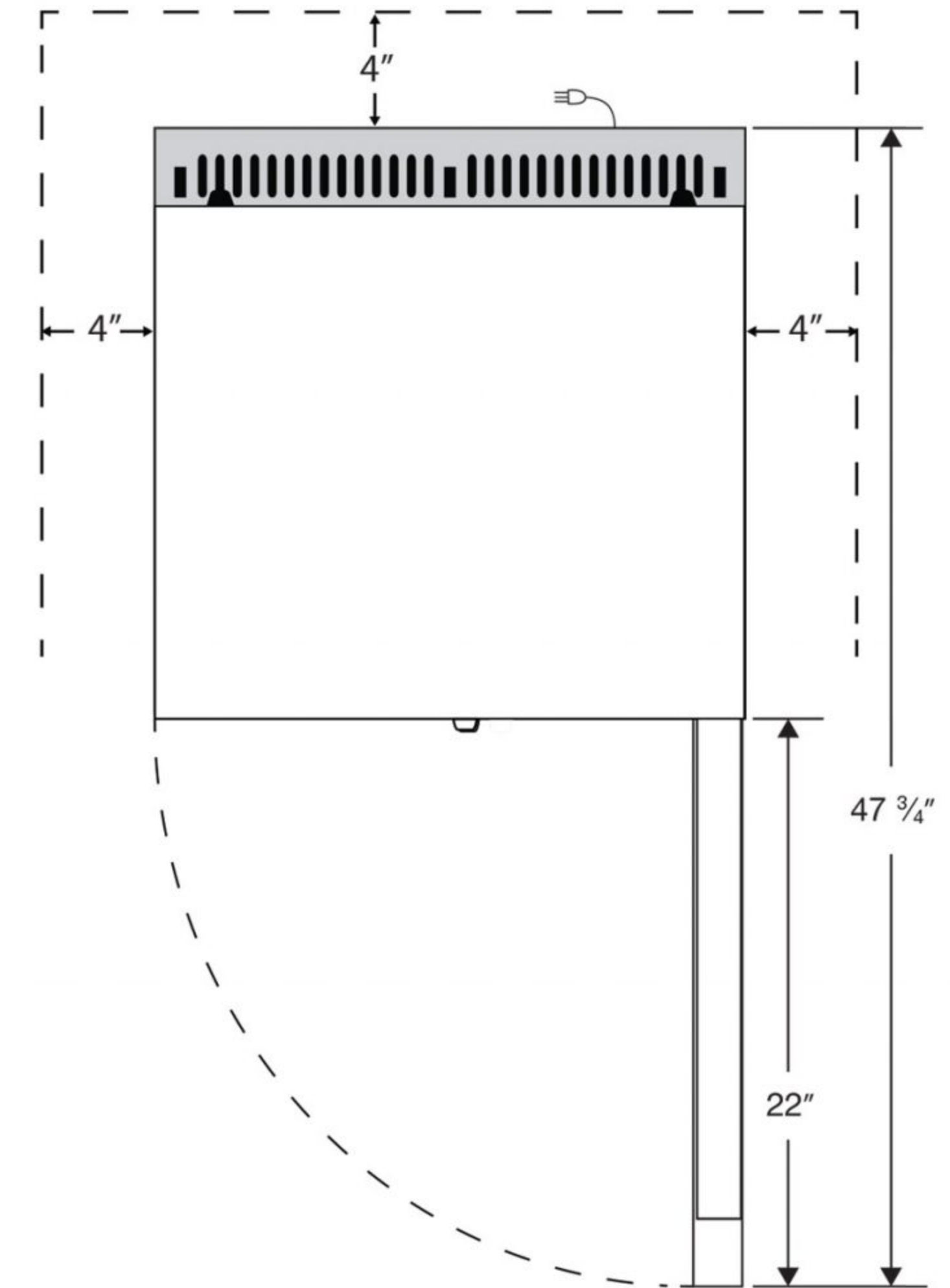
Front View



Side View



Top View



NOTE: Ventilation Requirements – Minimum 4" clearance on sides and back

Compartment	Cu. Ft	Defrost	Door	Int Door	Shelves	W"	D"	H"	Refrigerant	H.P.	Amps	Weight
Freezer Refrigerator	1 10.5	Controlled Auto Cycle	1 Solid 1 Solid	0 0	2 Adj. 6 Adj.	23 3/4	26 1/2	80 1/4	R600a	1/8 1/3	1 2.3	219 lbs.