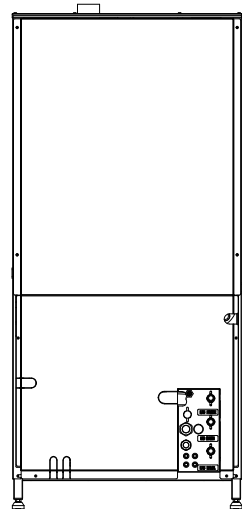
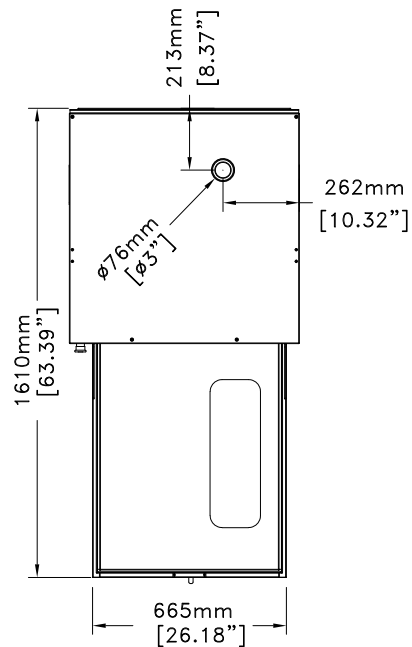


- 1 - EMERGENCY STOP BUTTON -OPTION-
- 2 - MAIN POWER ON/OFF SWITCH -OPTION-
- 3 - SAMPLING SYSTEM -OPTION-
- 4 - GLASS DOOR -OPTION-



Required Utilities:

Hot Water/Cold Water/Purified Water (each requires) – shut off valve with (Ø 20/27mm (¾ inch) male hose thread nozzle) / flow rate of 20 l/min (5 ¼ gal/min), pressure between 200 to 600 kPa (29 and 87 psi)

Drain Connection – fixed standpipe and plumbing trap (min. inside diam. 40 mm – 1 ½ inches) / height above finished floor 800–900mm (31–35 inches) / flow rate: 40 l/min (10 ½ gal/min) / AS AN OPTION unit can be configured for floor draining with optional gravity drop drain

Overflow Safety Discharge – Provide a floor drain or fixed discharge tube with an outside diameter of 32 mm (1 ¼ inches). Maximum height above finished floor level 500 mm (20 inches)

Exhaust Hood Preferred (unless room is well ventilated) – min. air gap 300mm (12”), max. 1000mm (40”) / Flow rate 120 m³/H (70 cfm)

Steam Feed (for steam option only) – shut off valve, strainer and flexible steam hose (connected to washers Ø 15/21 (½ inch) male BSP threaded inlet) / steam pressure between 200 to 600 kPa (29 and 87 psig) / maximum consumption: 120 Kg/h (265 lbs/hr) – 30kg/cycle (66 lbs/cycle) – typically 1 cycle used per hour

Steam Condensate Return (for steam option only) – shut off valve, steam trap and flexible steam hose (connected to washers Ø 15/21mm (½ inch) male BSP threaded outlet)

Compressed Air (for gravity drop drain)

- for washer 50 Hz : shut off valve with Ø20/27mm (3/4 inch) hose barb fitting,
- for washer 60 Hz : shut off valve with Ø10mm (3/8 inch) hose barb fitting, air pressure between 200 to 600 kPa (29–87 PSI) (consumption is minimal)

Electricity (electric models)

208 V, 60 Hz, 3+PE, 13.5 kW, 38 A	208 V, 50 Hz, 3+PE, 13.5 kW, 38 A
240 V, 60 Hz, 3+PE, 13.5 kW, 34 A	240 V, 50 Hz, 3+PE, 13.5 kW, 34 A
400 V, 60 Hz, 3+PE, 13.5 kW, 20 A	400 V, 50 Hz, 3N+PE, 13.5 kW, 20 A
480 V, 60 Hz, 3+PE, 13.5 kW, 17 A	400 V, 50 Hz, 3+PE, 13.5 kW, 20 A

Electricity (steam heated models)

208 V, 60 Hz, 3+PE, 4.2 kW, 12 A	208 V, 50 Hz, 3+PE, 3.8 kW, 12 A
240 V, 60 Hz, 3+PE, 4.2 kW, 10 A	240 V, 50 Hz, 3+PE, 3.8 kW, 10 A
400 V, 60 Hz, 3+PE, 4.2 kW, 6 A	400 V, 50 Hz, 3N+PE, 3.8 kW, 6 A
480 V, 60 Hz, 3+PE, 4.2 kW, 6 A	400 V, 50 Hz, 3+PE, 3.8 kW, 6 A

<p>Overall dimensions Height 1731 mm (68.15") Width 789 mm (31.06") Depth 808 mm (31.81")</p>	<p>Chamber dimensions Height 773 mm (30.43") Width 626 mm (24.64") Depth 629 mm (24.79")</p>	<p>Weight : 213kg (469 lbs) Dimensions tolerances : 5mm (+/- 0.2")</p>
<p>Minimum distance area around the washer : 460 mm (18.11")</p>		

PLEASE REFER TO INSTALLATION MANUAL FOR ALL SERVICES TECHNICALS SPECIFICATIONS

GENERAL ARRANGEMENT DRAWING

ULTIMA 1400 LXP	GAD_ULTIMA 1400LXP_02_EN_2005
-----------------	-------------------------------

