

# Product datasheet

## CaptairBio 320

PCR Workstation

### Complete protection for RNA/DNA amplification

A high energy UV light is used to decontaminate the worktop from biological cross-contamination between operations.

### UV decontamination

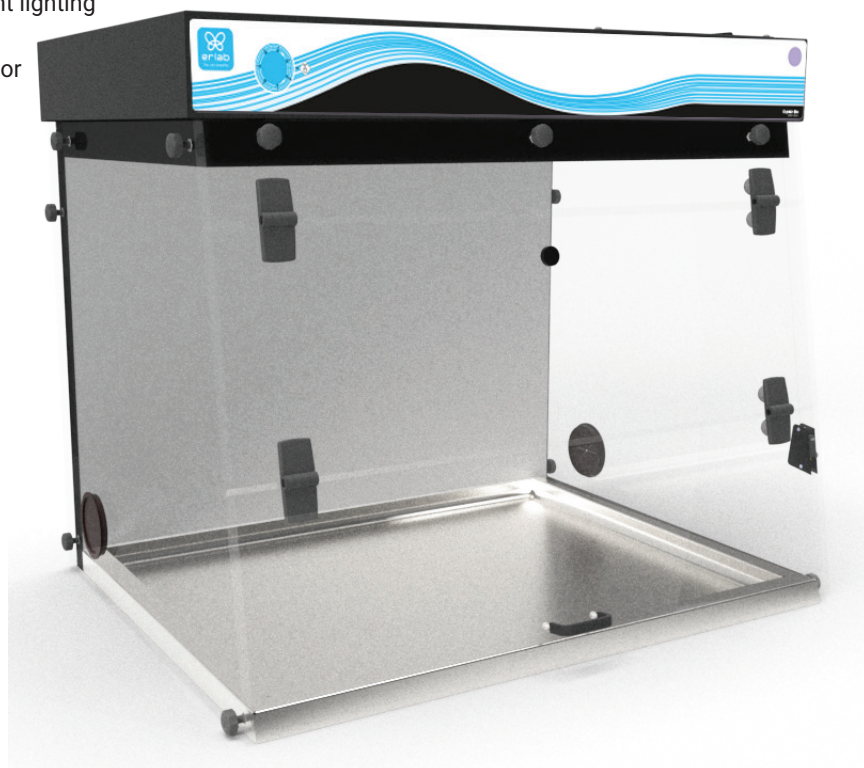
- Protect your samples from cross-contamination
- Powerful UV decontamination (254 nm lamp power)
- Adjustable timer
- Automatic UV lamp off switch in case the sash is opened when the UV light is on

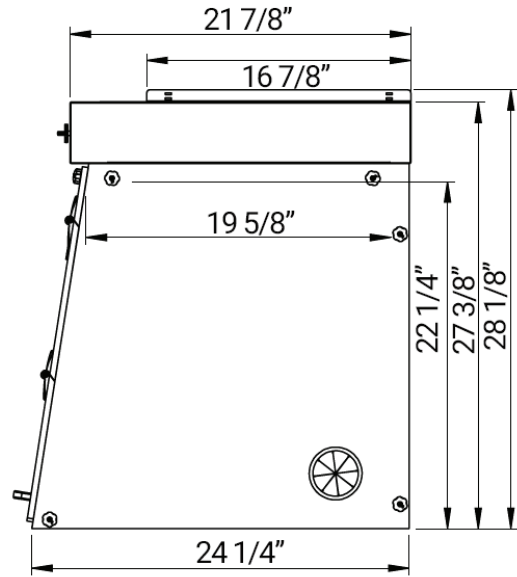
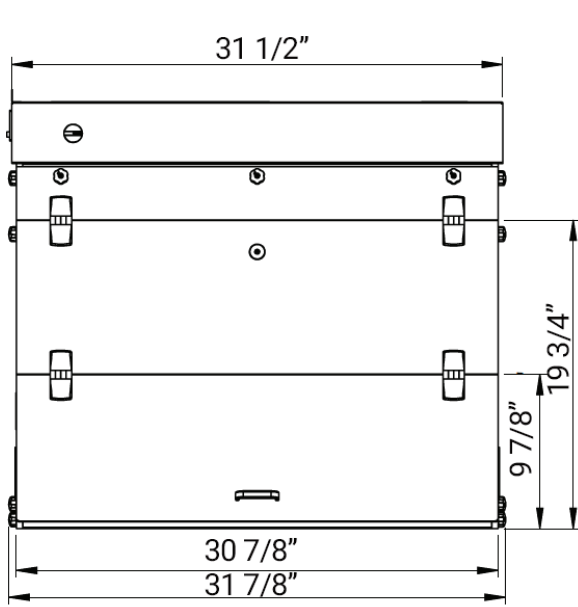
### Easy to clean

- Work surface is easy to clean
- Seamless worktop with smooth corners, available in TRESPA®TopLab<sup>PLUS</sup> or Stainless steel (304 L)
- Low porosity material

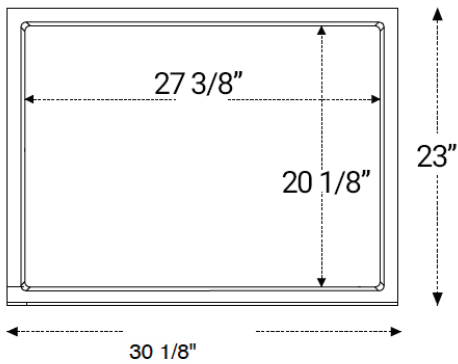
### Ergonomic design

- Slanted sash provides an ergonomic position for comfort and productivity
- Compact tubular fluorescent lighting
- Side panel utility ports allow electrical cables and/or fluid lines to enter the enclosure with ease.

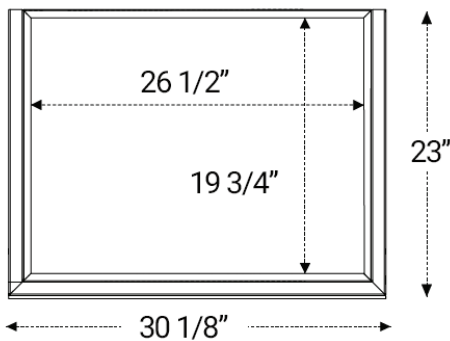




**Work surfaces with build in spill tray**

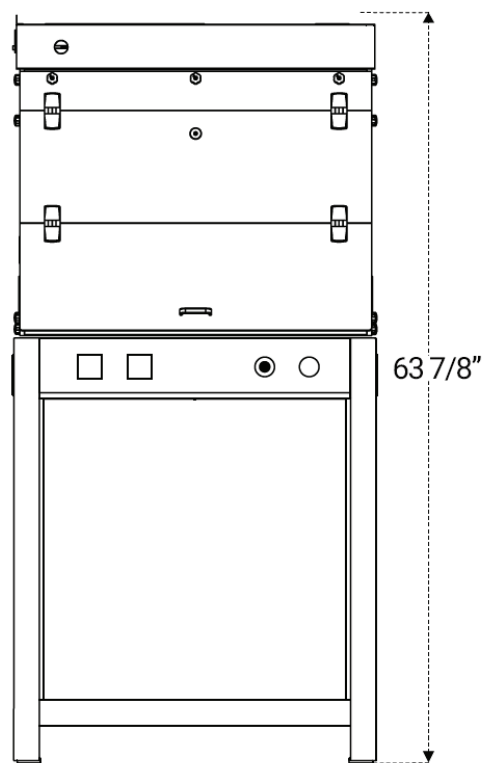


**TRESPA® TopLab<sup>PLUS</sup>**



**Stainless steel 304 L**

**Benchcap: Fixed work bench**



\* For Mobicap: rolling cart, deduct 1"

SAFETY STANDARDS	NF EN61010 - CE MARKING
External Width	30 1/8
External Depth	24 3/4"
External Height (min./max.)	24 1/2"
Internal Width	30 7/8"
Internal Depth (min./max.)	19 5/8" - 20 1/8"
Internal Height	22 1/4"
Voltage/Frequency (V-Hz)	100-240 / 50-60
Power Consumption (W)	25
Decibel Level (dBA)	< 40
Side and front panels	10 mm thick synthetic glass is designed to protect users from harmful UV rays and $\beta$ (Bêta) emitted from radioactive isotopes such as: T(3H), 14C, 32P
Structure	Corrosion resistant electro-galvanized steel coated with anti-acid polymer
Filtration Module	Polypropylene

## Features

Worktop	Stainless steel 304 L / TRESPA®TopLab <sup>PLUS</sup>
Bacterial UV Lights	15W - Wavelength: 254 nm
	0.08 mJ/ s/cm <sup>2</sup>
Internal Lighting	Compact fluorescent lighting - 18 watt - IP 67
Side panel utility ports	To allow electrical cables and/or fluid lines to enter the enclosure with ease - 2 per unit

## Accessories

Benches	Rolling cart (Mobicap) or fixed bench (Benchcap)
Shelves	Internal metal sliding shelf (only for Benchcap)
Worktop	TRESPA® TOPLAB <sup>PLUS</sup> , Glass or 304L Stainless Steel



*Erlab's state of the art Research & Development Laboratory relies exclusively on filtration*

# About Erlab

## We provide safety, we protect your health

Erlab invented the ductless fume hood in 1968. With more than 50 years of experience in the field of chemical filtration and protection of laboratory personnel; we know the formula for safety. With Erlab, you will never have to wonder or worry if our products are safe. We build each one of the following 7 ingredients into our products, and without all of them, your health and safety will be compromised.

### 1 Erlab R&D Laboratory

The engineers and chemists in our state-of-the-art R&D laboratory understand molecular filtration. We are committed to designing products that are safe and of the highest quality, strive to improve our products, and continuously develop new products that provide greater protection in the laboratory.

### 2 Strict Safety Standards

We hold ourselves to the highest standard and adhere to the strict AFNOR NF X 15-211: 2009 filtration safety standard as cited by ANSI Z9.5-2012.

### 3 A Published Chemical Listing

It all begins here. Without this listing, we are not compliant with AFNOR NF X 15-211. Our in-house laboratory tests, as well as independent testing, to verify the retention capacity of over 700 chemicals for our filters.

### 4 Independent Testing

Erlab filters have been independently tested multiple times at various concentrations guaranteeing that our safety solutions all adhere to the strict performance criteria of the AFNOR NF X 15-211:2009 standard assuring that the emission concentration at the filter exhaust will always be lower than 1% of the TLV.

### 5 Application Questionnaire (Valiquest)

Our laboratory specialists will recommend the appropriate filtration fume hood, type of filter, and personalized advice.

### 6 Certificate of Validation for the chemicals used in the hood

A certified PhD chemist issues a Certificate of Validation with a list of the chemicals approved for use in the hood.

### 7 Our Safety Program

We back up our products 100%. This program includes your specialized chemical evaluation, validation of your hood upon installation, and a filtration safety specialist at your service to ensure that your hood is operating to its full potential.

CapitaBio 320 V.04\_2022\_04 - Erlab USA - Technical data are not contractual. Erlab reserves the right to modify the present document without prior notice.

France  
+33 (0) 2 32 09 55 80 | ventes@erlab.net

United States  
+1 800-964-4434 | sales@erlab.com

China  
+86 (0) 512 5781 4085 | sales.china@erlab.com.cn

Spain  
+34 936 732 474 | export.south@erlab.net

Germany  
0800 330 47 31 | export.north@erlab.net

United Kingdom  
+44 (0) 1722 341 940 | export.north@erlab.net

Italy  
+39 (0) 2 89 00 771 | export.south@erlab.net

 **erlab**  
You can breathe.

[usa.erlab.com](http://usa.erlab.com)