

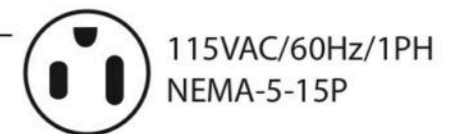
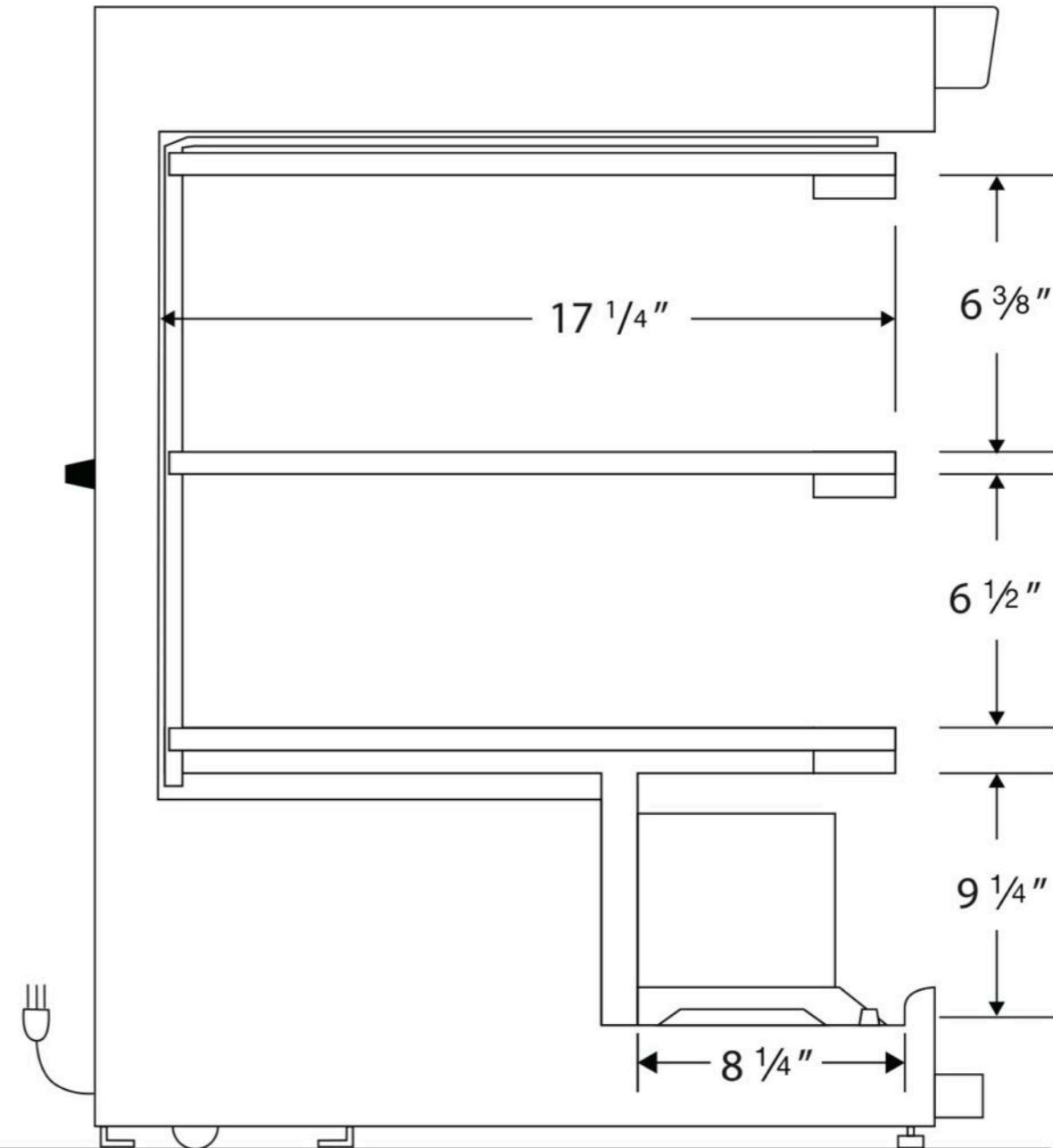
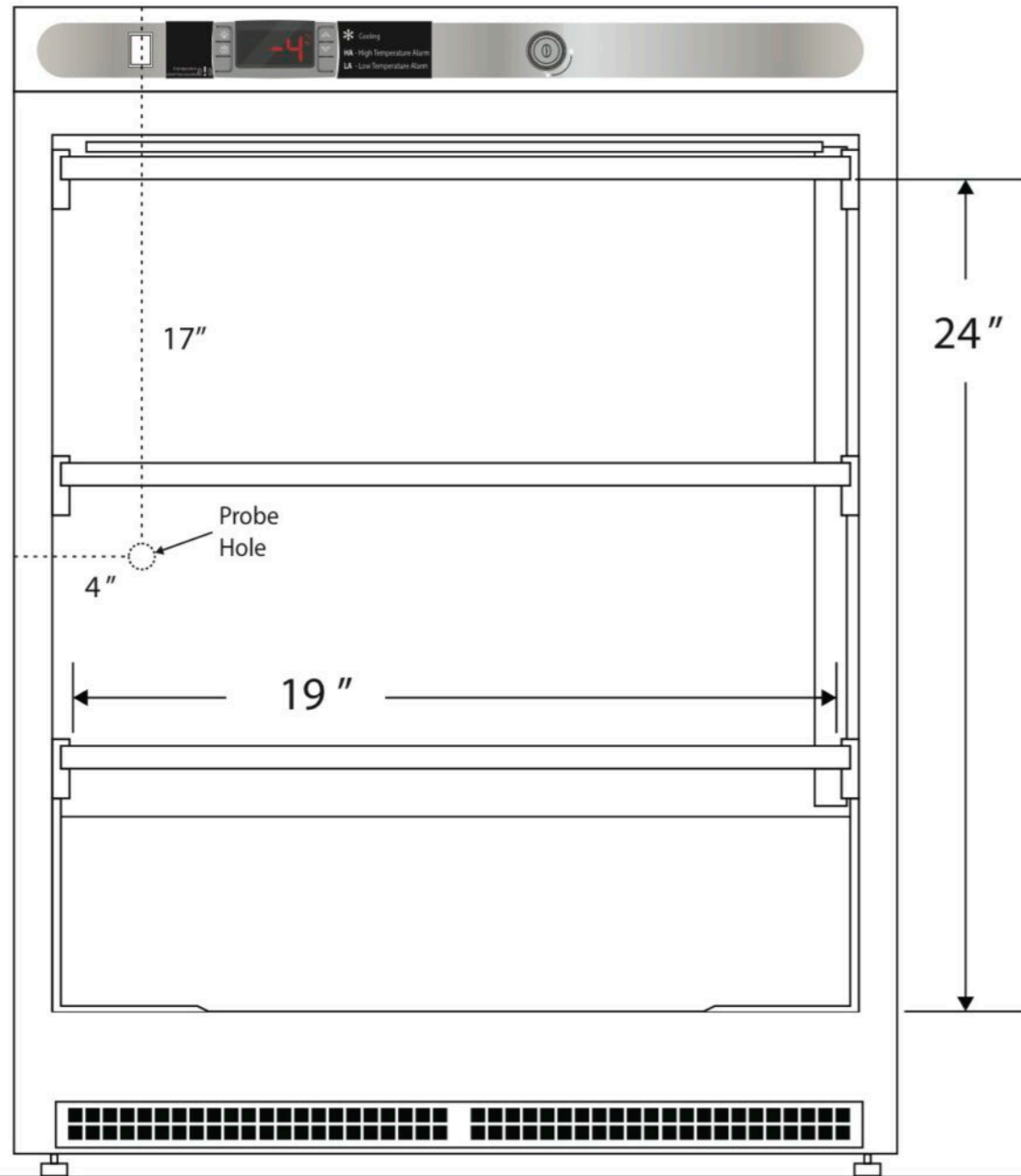


Interior PH-BSI-HC-UCBI-0420-ADA

CUTSHEET

Front View

Side View



| Cu. Ft | Defrost | Door | Int Door | Shelves | Interior Dim. | | | Refrigerant | H.P. | Amps | Weight |
|--------|---------|-------------------------|----------|---------|---------------|--------|----|-------------|------|------|----------|
| | | | | | W" | D" | H" | | | | |
| 4.2 | Manual | 1 Solid (Reversible) | 0 | 2 Fixed | 19 | 17 1/4 | 24 | R600a | 1/8 | 1.5 | 108 lbs. |

Note: Interior dimensions are estimates and subject to change without notice