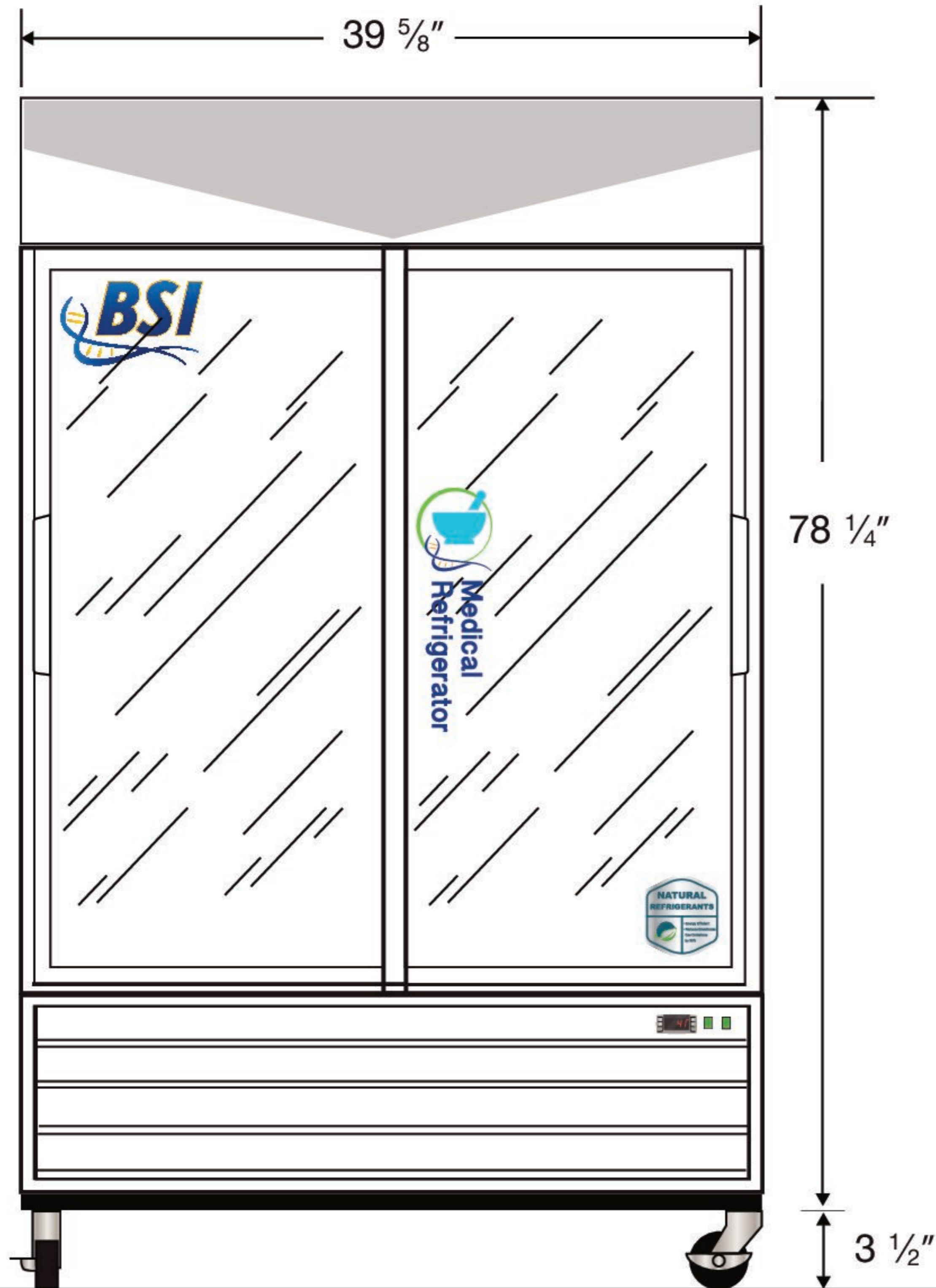




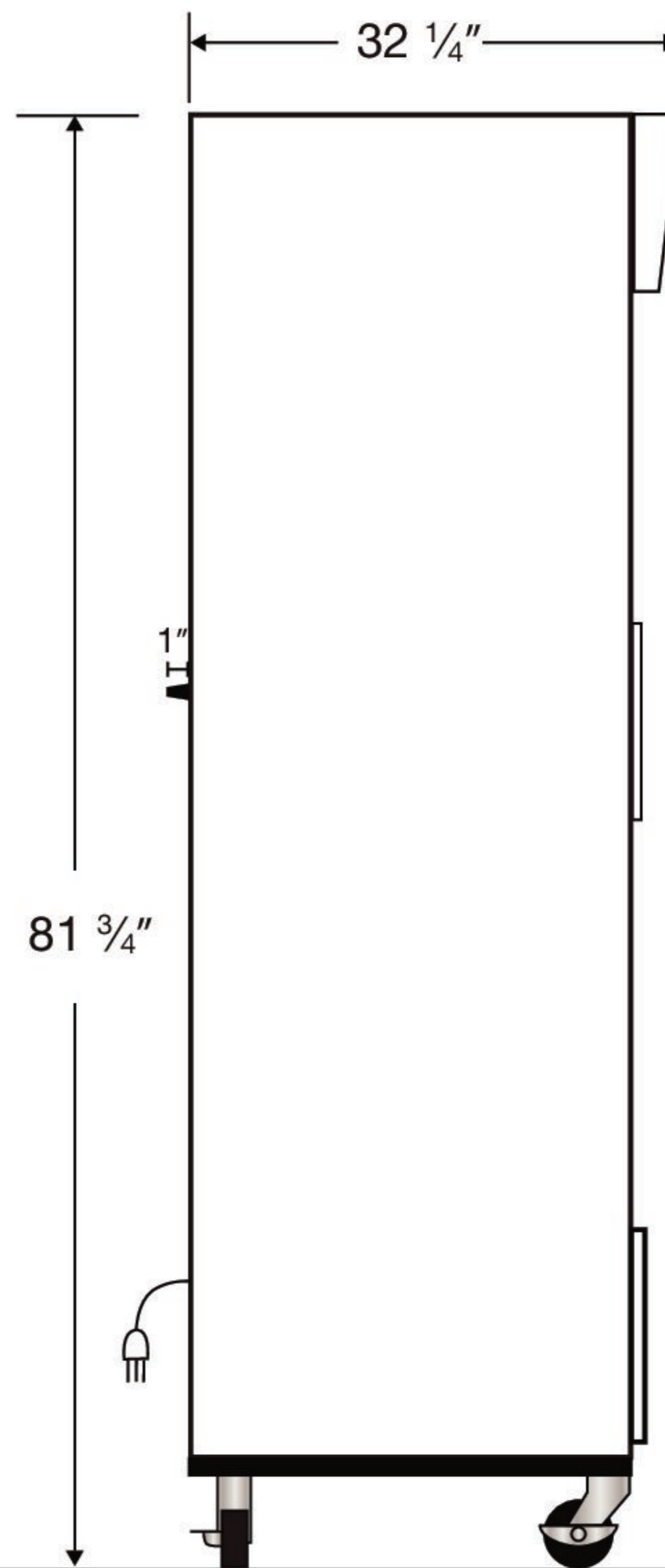
Exterior PH-BSI-HC-S33G

CUTSHEET

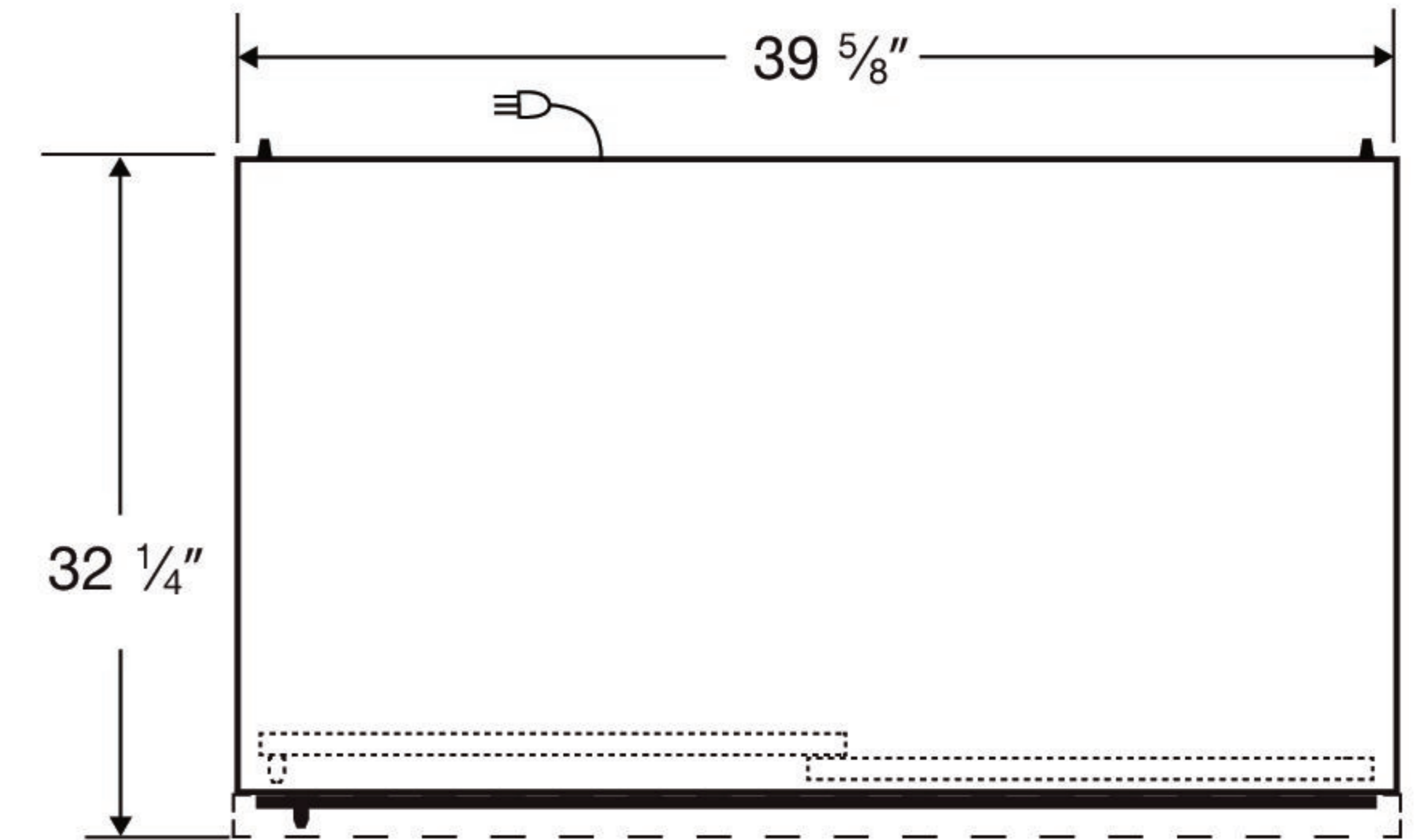
Front View



Side View



Top View



115VAC/60Hz/1PH
NEMA-5-15P

Cu. Ft	Defrost	Door	Int Door	Shelves	W"	D"	H"	Refrigerant	H.P.	Amps	Weight
33	Cycle	2 Glass (Sliding)	0	6 Adj	39 5/8	33 1/4	81 3/4	R290	1/4	4.5	369 lbs.