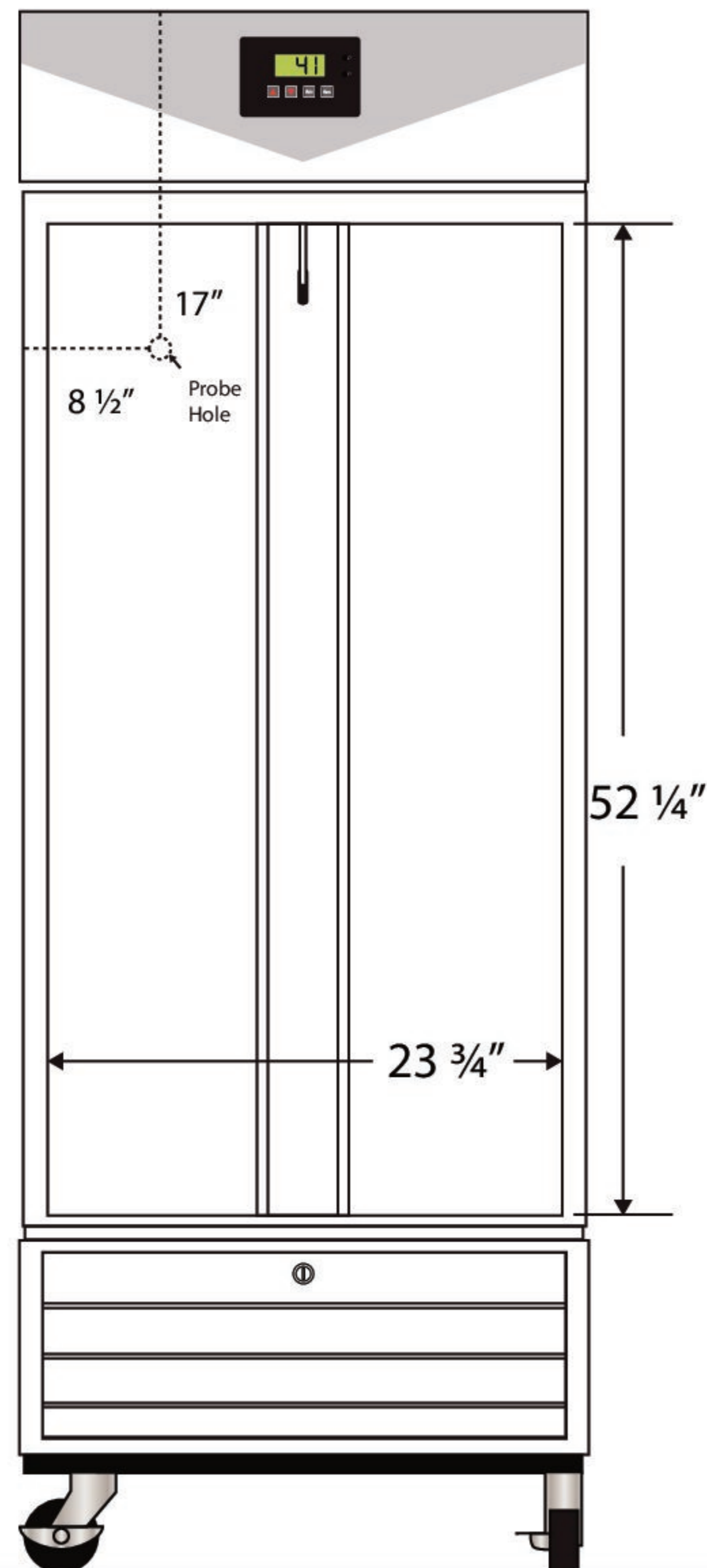




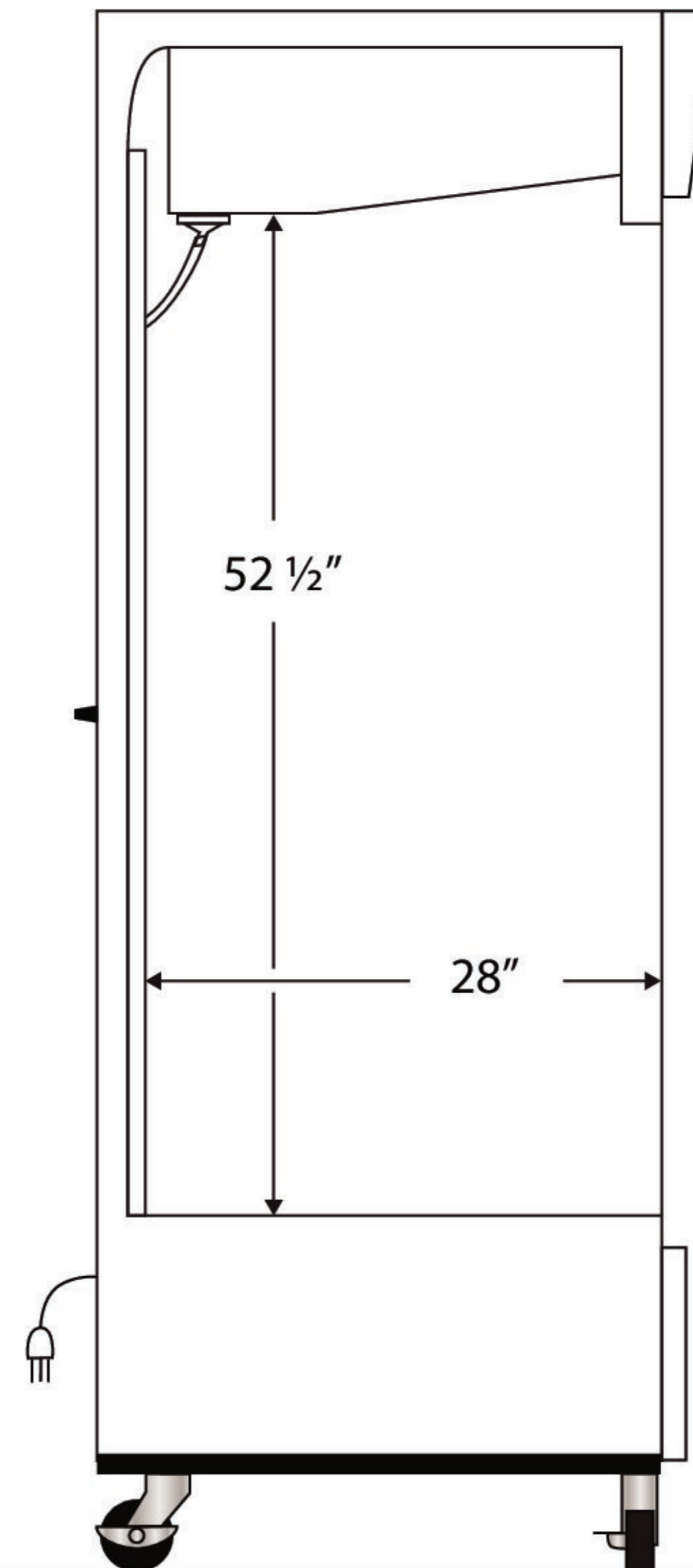
Interior  
PH-BSI-HC-26S

CUTSHEET

Front View



Side View



115VAC/60Hz/1PH  
NEMA-5-15P

| Cu. Ft | Defrost | Door    | Int Door | Shelves | Interior Dim. |    |        | Refrigerant | H.P. | Amps | Weight   |
|--------|---------|---------|----------|---------|---------------|----|--------|-------------|------|------|----------|
|        |         |         |          |         | W"            | D" | H"     |             |      |      |          |
| 26     | Cycle   | 1 Solid | 0        | 6 Adj   | 23 3/4        | 28 | 52 1/2 | R290        | 1/5  | 3    | 235 lbs. |

Note: Interior dimensions are estimates and subject to change without notice