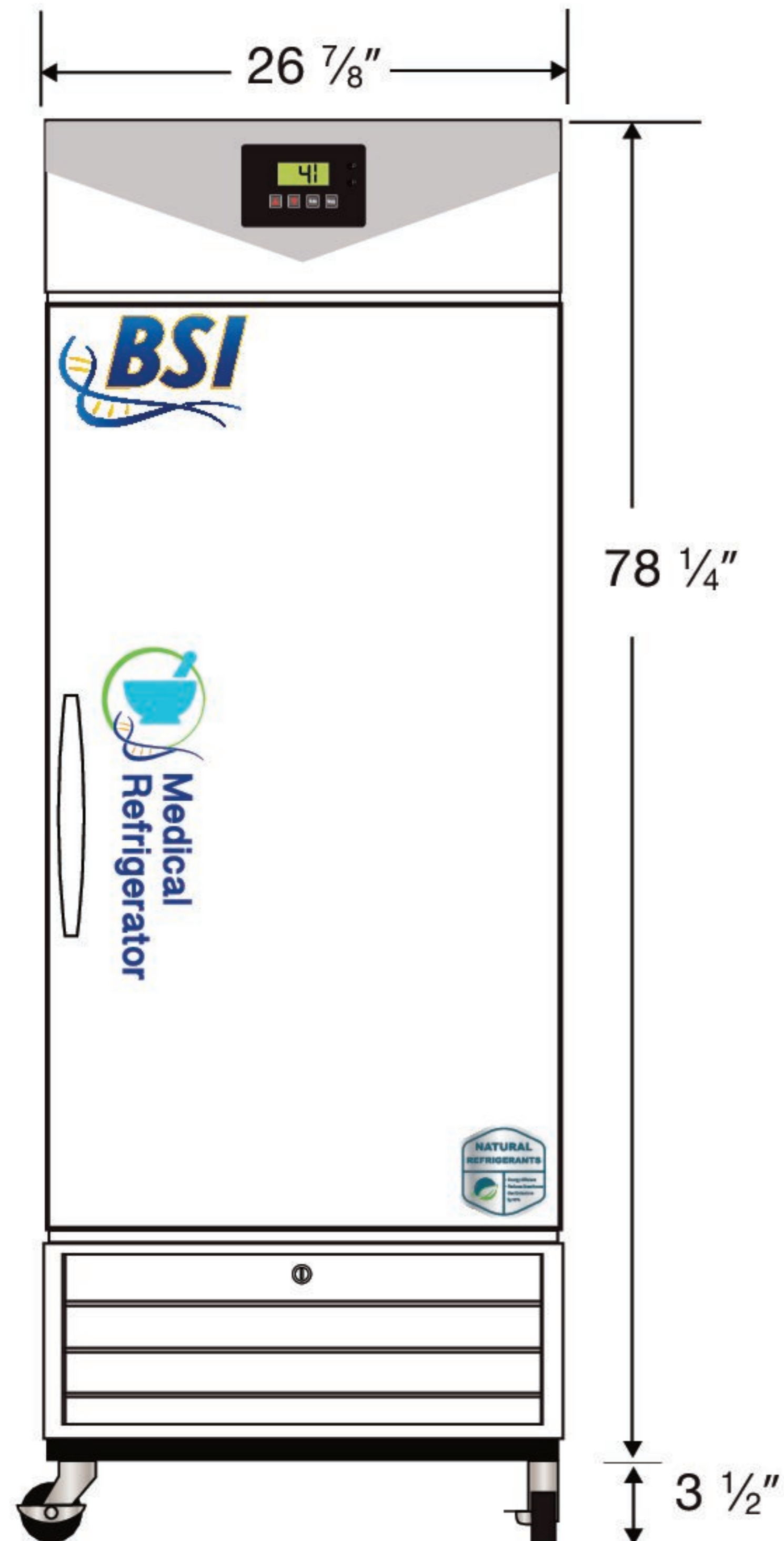




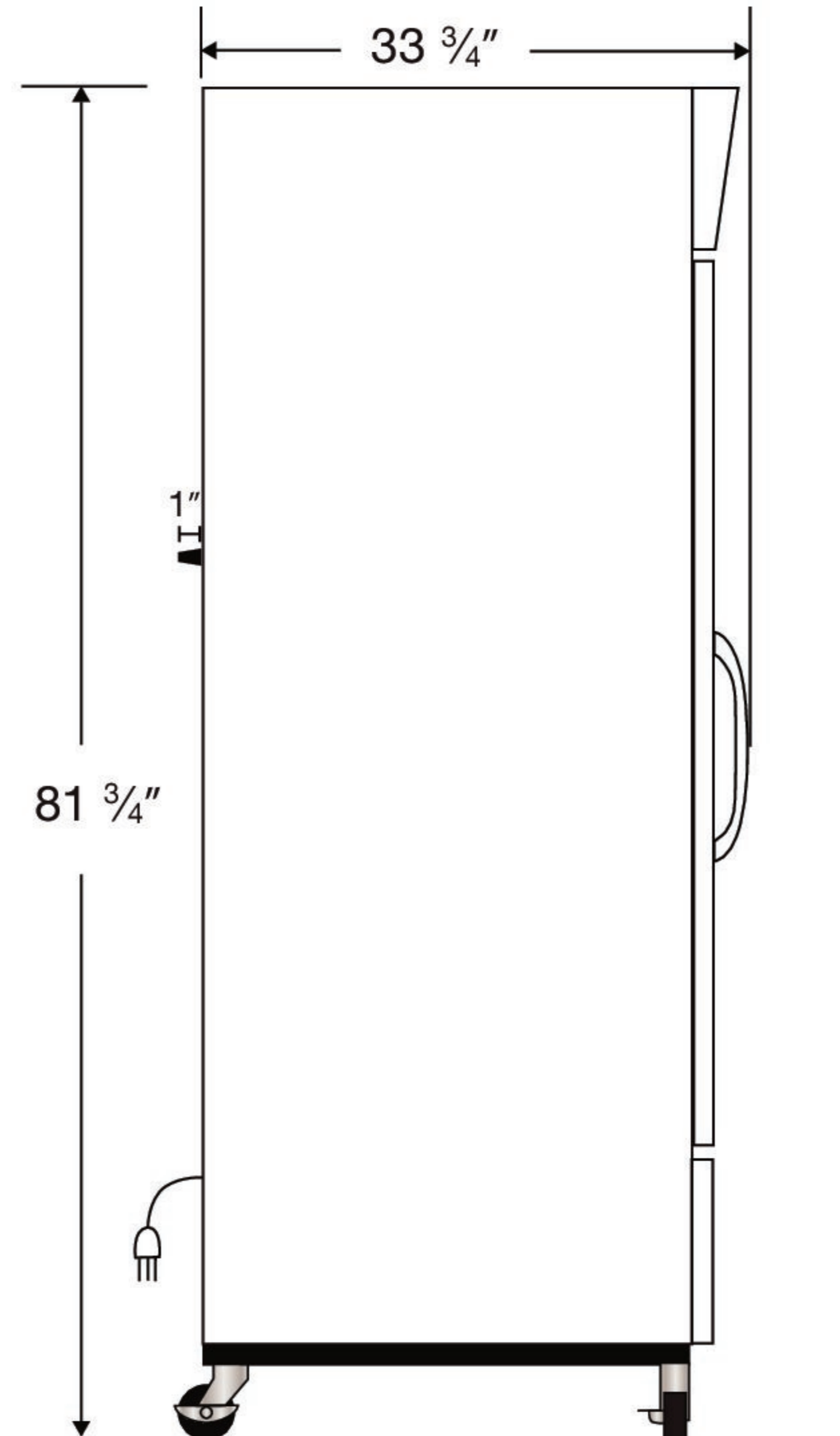
CUTSHEET

Exterior
PH-BSI-HC-23S

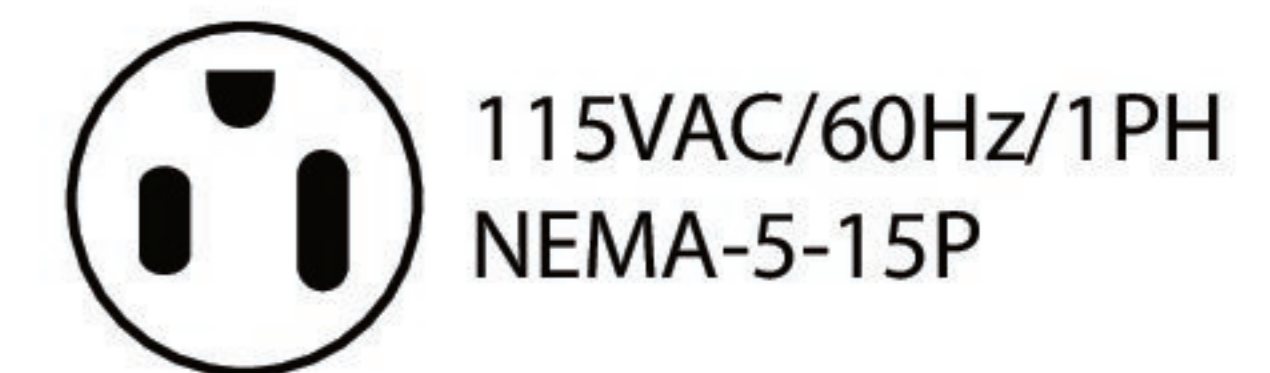
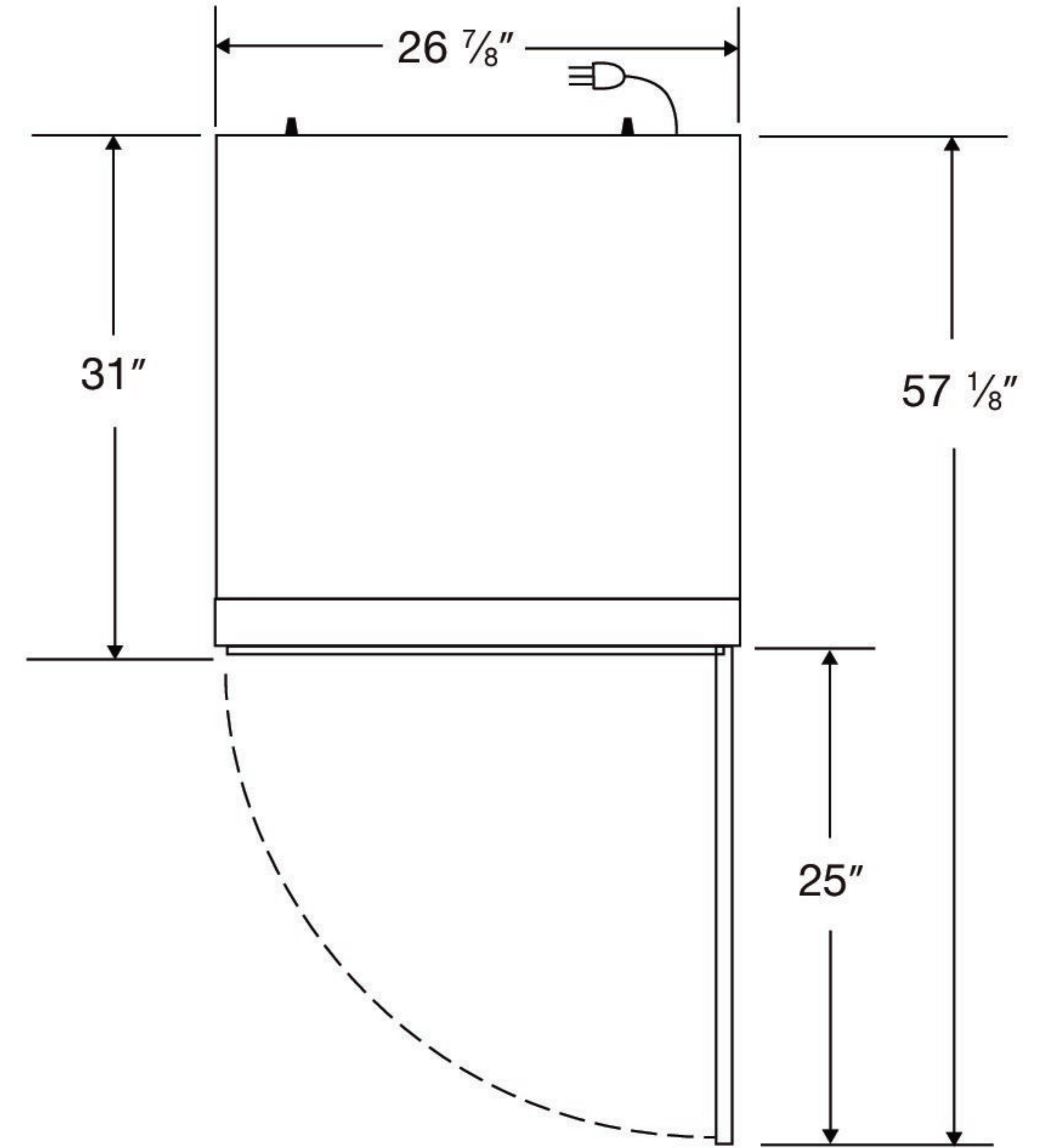
Front View



Side View



Top View



| Cu. Ft | Defrost | Door | Int Door | Shelves | W" | D" | H" | Refrigerant | H.P. | Amps | Weight |
|--------|---------|---------|----------|---------|--------|--------|--------|-------------|------|------|----------|
| 23 | Cycle | 1 Solid | 0 | 6 Adj | 26 7/8 | 34 3/4 | 81 3/4 | R290 | 1/5 | 3 | 210 lbs. |