

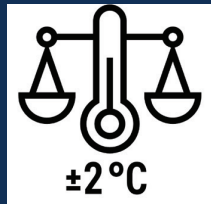
SRPvh 8411

30 cu.ft. Perfection High performance Laboratory Refrigerator with glass door



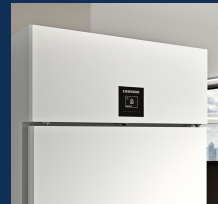
Integrated WiFi/LAN interface

The integrated WiFi/LAN interface enables you to easily connect your appliances with existing local systems.



±2 °C temperature stability

Temperature fluctuations must be minimal to ensure that the quality of sensitive substances is preserved. Liebherr appliances have an impressive maximum deviation of just ±2 °C from the set temperature. This not only maintains the storage climate, but also the value of your stored goods.



SmartLock

To prevent products from accidentally entering circulation after an interruption in the cold chain, SmartLock automatically locks the door if there is an alarm. Only authorized persons can unlock it again.



Vertical LED lighting

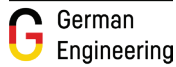
Vertical LED lighting provides optimal illumination of the interior over the entire height of the appliance. This not only saves you time looking for things, but, above all, cuts energy costs.

LIEBHERR

SRPvh 8411

30 cu.ft. Perfection High performance
Laboratory Refrigerator with glass door

Laboratory Refrigerator



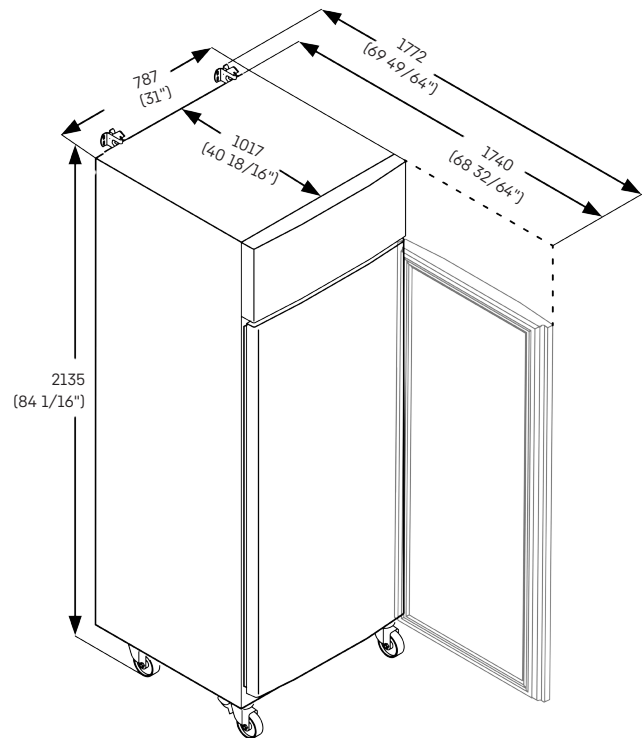
home.liebherr.com



SRPvh 8411

Total Volume	30.4 cu. ft.
Exterior dimensions in mm (w/d/h) in inches (w/d/h)	787 / 1017 / 2135 31" / 40 18/16" / 84 1/16"
Interior dimensions in mm (w/d/h) in inches (w/d/h)	579 / 788 / 1493 22 13/16" / 31 1/16" / 58 13/16"
Energy Consumption*	1.26 kWh/ day
EnergyStar rated	Yes
Ambient temperature	+ 10°C to +35°C (50°F to 95°F)
Refrigerant	R 600 a
Sound rating**	60 dB(A)
Connection rating	4.0 A
Voltage / Frequency	115 V / 60Hz
Cooling system/Defrost	Forced-air/ automatic
Temperature range	0°C to 16°C
External cabinet finish	Steel / white
Door/lid material	Insulated glass door/ white
Internal liner material	Chrome-nickle steel
Type of control	2.4" touch & swipe color display
Temperature display	External digital
Connectivity solution/ interface	Integrated,removable/ WIFI/LAN
Data logger	Integrated, USB interface
Alarm	Visual, audible
Alarm forwarding	Yes
Interior Light	Vertical LED
Adjustable shelves	4
Shelf material	Wire shelves plastic-coated
Shelf load weight	60 kg (132 lbs)
Usable Shelf Area	570 / 788 mm (22 1/2" / 31")
Handle	Vertical recessed grip
Access port	1 x Ø 12 mm
Lock	Electronic
Self-closing door	Yes
Door Hinges	Right, reversible on site
Gross/net weight	186 / 168 kg (410 / 370 lbs)

Unit Dimensions



Accessories

U-shaped trayside, (left / right)	7745092 / 7745094
Gray wire shelf	7112614
Castors Ø 100 mm (4 in)	9597828
Adjustable feet, 115 - 175 mm (4.5 - 6.9 in)	9080131
Foot pedal opener	9597617
Side-by-Side set in white	9597677

* Measured unloaded at 26.6°C (80°F) ambient temperature with set point of 3.3°C (38°F).

** Noise level - sound power re 1pW - according to IEC 60704-2-14.