

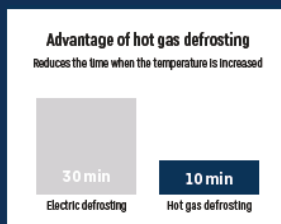
SFPvh 8401

30 cu. Ft. Perfection High-performance Laboratory Freezer with solid door



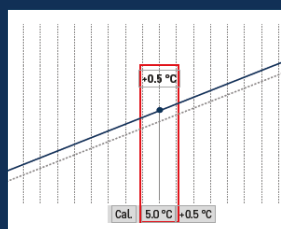
SmartLock

To prevent products from accidentally entering circulation after an interruption in the cold chain, SmartLock automatically locks the door if there is an alarm. Only authorized persons can unlock it again.



Energy-efficient hot gas defrosting

Timed and on-demand hot gas defrosting allows for very short defrosting times. To further improve temperature stability during defrosting, the internal temperature is slightly lowered shortly beforehand to create a reserve of cold air.



Calibration function

Due to operational requirements and application-specific conditions, it is possible to set temperature deviation of the interior from the set temperature to a storage temperature determined with calibrated thermometers. These deviations can be adjusted by the calibration function. For the secure knowledge of cooling at precise temperatures.



Integrated WiFi/LAN interface

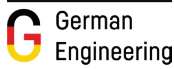
The integrated WiFi/LAN interface enables you to easily connect your appliances with existing local systems.

LIEBHERR

SFPvh 8401

30 cu. Ft. Perfection High-performance Laboratory Freezer with solid door

Laboratory Freezer



home.liebherr.com

SFPvh 8401

| | |
|--|--|
| Total Capacity | 30.2 cu. ft (855 l) |
| Exterior dimensions in mm (w/d/h) in inches (w/d/h) | 787 / 1017 / 2135 31" / 40 1/6" / 84 1/16" |
| Interior dimensions in mm (w/d/h) in inches (w/d/h) | 579 / 788 / 1493 22 13/16" / 31 1/16" / 58 13/16" |
| Energy Consumption* | 3.08 kWh/day |
| EnergyStar rated | Yes |
| Ambient temperature | +10°C to +35°C (50°F to 95°F) |
| Refrigerant | R290 |
| Sound rating** | 60 dB(A) |
| Connection rating | 4.0 A |
| Vol;t | 60 Hz/115V~ |
| Cooling system/Defrost | Forced-air / automatic |
| Temperature range | -9 °C to -35 °C |
| External cabinet finish | Steel/white |
| Door/lid material | Steel/ white |
| Internal liner material | Chrome-nickle steel |
| Data logger | Integrated, USB interface |
| Connectivity Solution/ Interface | Integrated, removable WIFI / LAN |
| Type of control | 2.4" touch & swipe color display |
| Temperature display | External digital |
| Alarm | Visual, audible |
| Alarm forwarding | Yes |
| Interior Light | LED lighting column, left |
| Adjustable shelves | 4 |
| Shelf material | Wire shelves plastic-coated |
| Shelf load weight | 60 kg (132 lbs) |
| Usable Shelf Area in mm (inches) | 570 / 788 mm (24 1/16"/19 11/16") |
| Handle | Antimicrobial handle with opening mechanism |
| Access port | 1 x Ø 12 mm |
| Lock | Electronic |
| Self-closing door | Yes |
| Door Hinges | Right, reversible on site |
| Insulation | 70 mm (2 13/16") |
| Gross/net weight | 167/149 kg (489.4/443.1 lbs) |

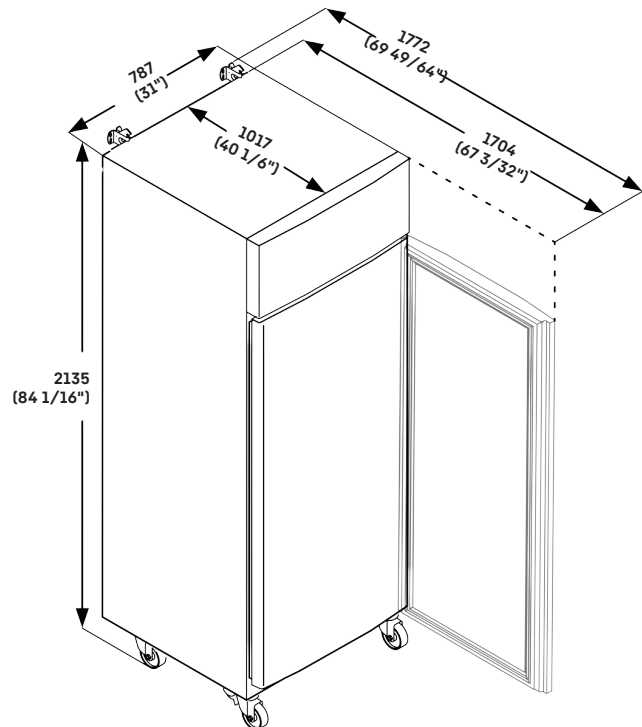
* Measured unloaded at 26.6°C (80°F) ambient temperature with set point of 3.3°C (38°F).

** Noise level – sound power re 1pW – according to IEC 60704-2-14.

V.2 (June, 2025)



Unit Dimensions



Accessories

| | |
|---|-------------------|
| U-shaped trayslide, (left / right) | 7745092 / 7745094 |
| Gray grid shelf | 7112614 |
| Foot pedal opener | 7746616 |
| Castors Ø 100 mm (4 in) | 9597828 |
| Adjustable feet, 115 - 175 mm (4.5 - 6.9 in) | 9080131 |
| Side-by-Side set in white | 9597677 |

LIEBHERR