



Leica
MICROSYSTEMS

Emspira 3 User Manual

Contents

General Notes		Installation	
General Notes	5	Stand-Alone Mode: Cables and Terminals	34
Important Safety Notes	6	Stand-Alone Mode: Installing Optional External Devices	35
Symbols Used	7	PC Mode: Connecting a Computer, Installing Software	37
Safety Instructions	8	Network & WLAN Settings	38
Introduction		Startup Procedure	
Your Emspira 3 System	13	LED Color & Blink Codes	40
Optional Accessories	14	Switching on Emspira 3	41
Emspira 3 Overview	15	Switching on the Illumination	42
System Overview	16	Focusing, Adjusting the Resistance of the Focus Drive	43
Assembly		Changing Magnification, Click-stop Feature	
Emspira 3 With Incident Light Base	18	44	
Emspira 3 With Transmitted Light Base	20	Operation (Stand-Alone Mode)	
Emspira 3 With Swing-arm Stand	22	Operation in Stand-Alone Mode	
Objective and Illumination		46	
Installing Standard Planapochromatic Objective for Measurement Tasks	26	Operation (PC Mode)	
Optional Achromatic Objective	27	Operation in PC Mode	
Illumination: LED3000 RL	28	48	
Illumination: LED3000 NVI	30	Troubleshooting	
Illumination: LED5000 SLI, LED3000 SLI, LED3000 DI	31	Care and Maintenance	
		Care, Maintenance, Contact Persons	
		Spare Parts	

Contents (Continued)

Disposal	
Disposal	56
Specifications	
Technical Data	58
Optical Data – Field of View	63
Optical Data – Magnification and Depth of Field*	65
Dimensional Drawings	67
Emspira 3	67
Emspira 3 With Incident Light Base	68
Emspira 3 With Swing-Arm Stand	71

General Notes

General Notes

Safety concept

Before using your Emspira 3 for the first time, please read the "Safety Concept" booklet included with Emspira 3. It contains additional information on handling and care.



Cleaning

- Do not use any unsuitable cleaning agents, chemicals or techniques for cleaning.
- Never use chemicals to clean colored surfaces or accessories with rubberized parts. This could damage the surfaces, and specimens could be contaminated by abraded particles.

Servicing

- Repairs may only be carried out by Leica Microsystems-trained service technicians. Only original Leica Microsystems spare parts may be used.

Responsibilities of person in charge of Emspira 3

- Ensure that the Emspira 3 is operated, maintained and repaired by authorized and trained personnel only.

Important Safety Notes

Applicable User Manuals

User manuals and updates are also available for you to download and print from our website www.leica-microsystems.com.

This user manual describes the special functions of the Emspira 3 system and contains important instructions for its operational safety, maintenance, and accessories.

For information on the On-Screen Display (OSD) in stand-alone mode, refer to the On-Screen-Display User Manual.

The "Safety Concept" booklet contains additional safety information regarding the service work, requirements and the handling of Emspira 3, accessories and electrical accessories as well as general safety instructions.

You can combine individual system articles with articles from external suppliers (e.g. cold light sources, etc.). Please read the user manual and the safety instructions from the supplier.

Before installing, operating or using Emspira 3 and the accessories, read the user manuals listed above. In particular, please follow all safety instructions.

To maintain Emspira 3 in its original condition and to ensure safe operation, the user must follow the instructions and warnings contained in these user manuals.

Symbols Used

Warning! Safety hazard!



This symbol indicates especially important information that is mandatory to read and observe. Failure to comply can cause the following:

- Personal injury!
- Emspira 3 malfunctions and damage.

Warning of hazardous electrical voltage



This symbol indicates especially important information. Failure to comply can cause the following:

- Personal injury!
- Emspira 3 malfunctions and damage.

Microscope malfunctions and damage



This symbol warns against touching hot surfaces, such as light bulbs.

Important information



This symbol indicates additional information or explanations that are intended to provide clarity.



Read and understand this user manual before using this device.

Safety Instructions

Description

- The individual modules fulfill the highest requirements for observation and documentation with the Emspira 3 system.

Intended Use

- Refer to "Safety Concept" booklet

Non-intended use

- Refer to "Safety Concept" booklet

Never use Emspira 3 or its components for surgical procedures (such as eye surgery) since it is not intended for such use.

The digital microscope and accessories described in this user manual have been tested for safety and potential hazards. The responsible Leica affiliate must be consulted whenever Emspira 3 is altered, modified or used in conjunction with non-Leica components that are outside of the scope of this user manual!

Unauthorized alterations to Emspira 3 or noncompliant use shall void all rights to any warranty claims.

Place of use

- Refer to "Safety Concept" booklet
- Electrical components must be placed at least 10 cm away from the wall and from flammable substances.
- Avoid large temperature fluctuations, direct sunlight and vibrations. These conditions can distort measurements* and micrographic images.
- In warm and warm-damp climatic zones, the individual components require special care in order to prevent the build-up of fungus.

* Measurement results and accuracy depend on used objective, zoom and microscope settings.

Responsibilities of person in charge of Emspira 3

- Refer to "Safety Concept" booklet

Ensure that:

- The Emspira 3 system and accessories are operated, maintained and repaired by authorized and trained personnel only.
- All operators have read, understood and observe this user manual, and particularly the safety regulations.

Safety Instructions (Continued)

Repairs, service work

- Refer to "Safety Concept" booklet
- Only original Leica Microsystems spare parts may be used.
- Before opening Emspira 3, switch off the power and unplug the power cable.
- Avoid contact with powered electrical circuits, which can lead to injury.

Transport

- Use the original packaging for shipping or transporting the individual modules of the Emspira 3 system and the accessory components.
- In order to prevent damage from vibrations, disassemble all moving parts that (according to the user manual) can be assembled and disassembled by the customer and pack them separately.

Integration in third-party products

- Refer to "Safety Concept" booklet

Disposal

- Refer to "Safety Concept" booklet

Legal regulations

- Refer to "Safety Concept" booklet

EC Declaration of Conformity

- Refer to "Safety Concept" booklet

EMC precautions

Prior to the installation of Emspira 3, the electromagnetic environment needs to be evaluated. It is the responsibility of the operator to ensure compliance with the environment.

If the instrument is being installed in any other environment than an INDUSTRIAL, it cannot be guaranteed that the equipment does not interfere with other electronic devices.

INDUSTRIAL environments are part of a separate power network, in most cases supplied by a high- or medium-voltage transformer, dedicated for the supply of installations feeding manufacturing or similar plants.

Warning!



If Emspira 3 is being installed in any other environment than an INDUSTRIAL, it cannot be guaranteed that the radiated electromagnetic emissions are not interfering with other electronic devices.

Safety Instructions (Continued)

Health risks

Workplaces with digital microscopes and cameras facilitate and improve the viewing task, but they also impose high demands on the eyes and holding muscles of the user. Depending on the duration of uninterrupted work, asthenopia and musculoskeletal problems may occur.

For this reason, appropriate measures for reduction of the workload must be taken:

- Optimal arrangement of workplace, work assignments and work flow (changing tasks frequently).
- Thorough training of the personnel, giving consideration to ergonomic and organizational aspects.

The ergonomic optics concept and the design of Emspira 3 aim to limit the strain on the user to the lowest possible level.

Microscope safety and EMC

Our microscope has been designed, produced and tested in compliance with

- EN 61010-1: Safety requirements for electrical equipment for measurement, control, and laboratory use - Part 1: General requirements (for microscope)
- EN 62368-1: Audio/video, information and communication technology equipment - Part 1: Safety requirements (for optional external power supply only)
- Radio interference suppression in compliance with EN 55011 Class A
- EN 61326-1, Electrical equipment for measurement, control and laboratory use – EMC requirements

The microscope meets the requirements of EU directives

- 2014/35/EU Low voltage directive
- 2014/30/EU EMC directive
- 2011/65/EU RoHS directive
- 2009/125/EC + VO EU 2019/1782 Ecodesign requirements for energy-related products

and carries the CE mark.



The microscope must be disposed of in accordance with 2012/19/EU WEEE directive.

Intended for indoor use only in all EU member states, EFTA states and Switzerland.

End User License Agreement (EULA)

This End User License Agreement is entered into by and between Leica Microsystems ("Leica") and you, the end user, as the context requires, either individually or as an authorized representative of the company or organization acquiring and/ or using this microscope ("User").

This microscope can be used in a network and offers functionality such as automated submission of images to an E-Mail recipient defined by the User, or copying of images to a SMB file server selected by the User. Therefore, passwords will need to be chosen by the User which passwords will be stored on the microscope in a separate password file. Direct access to the password file is denied; passwords are stored with an encryption which follows the Advanced Encryption Standard (AES), with a block and key size of 128 bits.

During any firmware update this password file will be deleted and the User will need to reenter the passwords.

When sending or forwarding the microscope to third parties for any reason, or when returning the microscope to Leica for service or maintenance, the User should always reset the microscope to factory settings.

Use of network and/ or other connectivity functionality provided by or with this microscope are at the User's discretion and risk; specifically, the User assumes full responsibility for network operation and safety. Leica does not guarantee any particular network safety standard and declines all responsibility, without limitation, for unauthorized access, security breach, data loss or corruption, or any financial or legal consequences thereof.

Introduction

Your Emspira 3 System

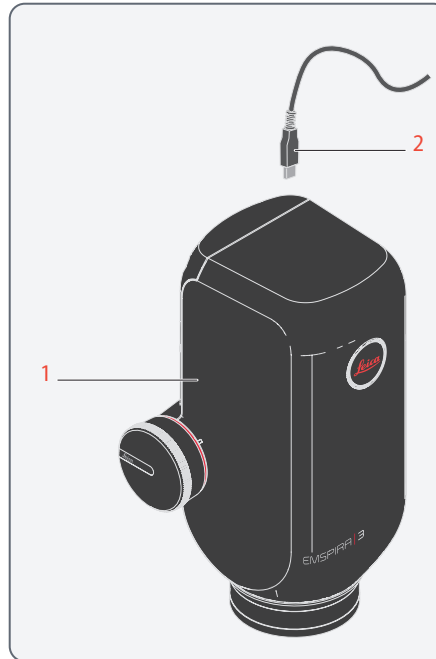
We congratulate you on purchasing the Emspira 3 digital microscope from Leica Microsystems.

Real 4K display

The integrated HDMI output allows the camera image to be displayed on a 4K monitor, where the following resolutions are possible:

- 3,840 × 2,160 (4K UHD). To be used on 4K monitors.
- 1,920 × 1,080 (Full-HD). This resolution provides the characteristic imaging performance for a Full-HD-capable monitor.

Standard delivery



The Emspira 3 system standard delivery includes:

1. *Emspira 3 digital microscope*
2. *USB-C power supply*



It is also possible to operate Emspira 3 with a PC using Enersight Desktop, or with a mobile device using Enersight Mobile.

For more information visit <https://www.leica-microsystems.com/products/microscope-software/p/enersight/>

Optional Accessories

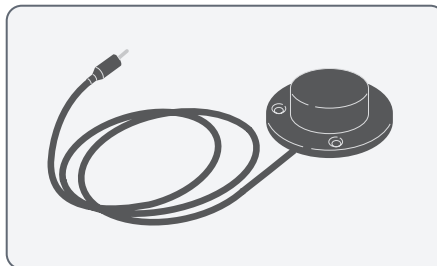
Optional "stand-alone kit"

Emspira 3 can be operated without a PC via integrated On-Screen-Display Software. Monitor, USB thumb drives and control devices can be connected directly to Emspira 3. For stand-alone operation, the "stand-alone kit" is required:

- 4K HDMI cable, for connecting to an HD / 4K monitor
- USB power supply
- USB thumb drive as storage device (64 GB)
- Barcode reader

The barcode reader allows for saving the barcode information in the file name. Please refer to the Enersight manual.

Handswitch/footswitch



Various functions can be assigned to the optional handswitch/footswitch (12730602) (such as taking individual pictures, white balance).

For information on additional accessories, such as objectives and adapters, illumination or the dust cover for Emspira 3, please contact your Leica Microsystems authorized dealer.



You can find detailed descriptions of different accessories in their corresponding user manual.

Wi-Fi dongle

The Wi-Fi dongle enables you to connect to a local WLAN to send images and results to a pre-defined email address. Due to different country restrictions, there are different versions of Wi-Fi dongles available.

To get the latest information about the availability of Wi-Fi dongles in your specific country, please contact your local sales representative.

Leica Application Enersight Desktop

Emspira 3 can also be operated using Enersight Desktop in combination with a PC, or Enersight Mobile using an Apple or Android mobile device.

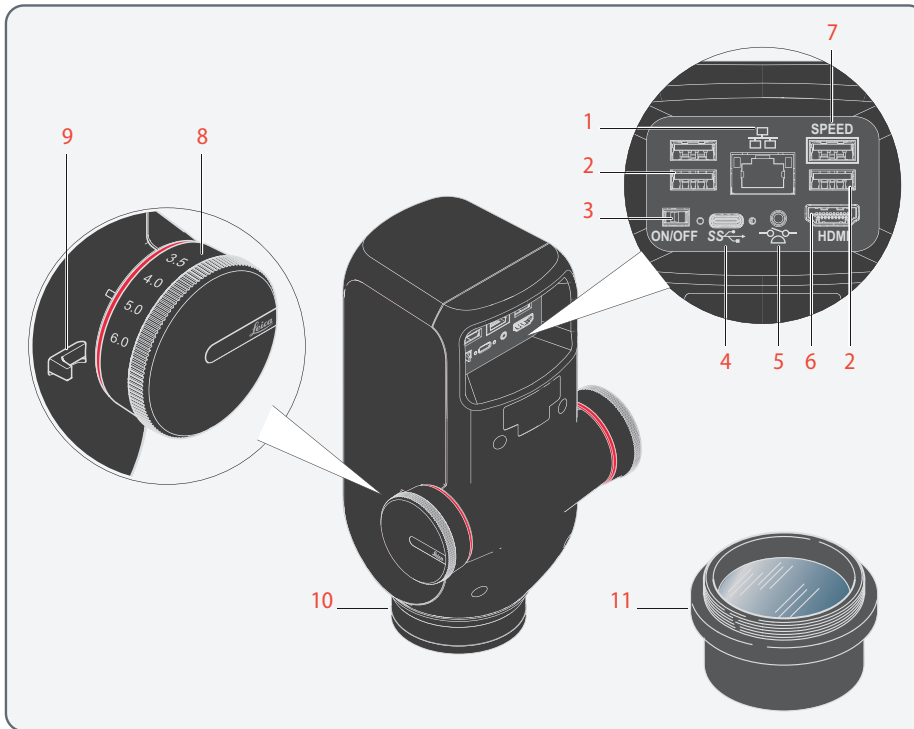


Google Play Store



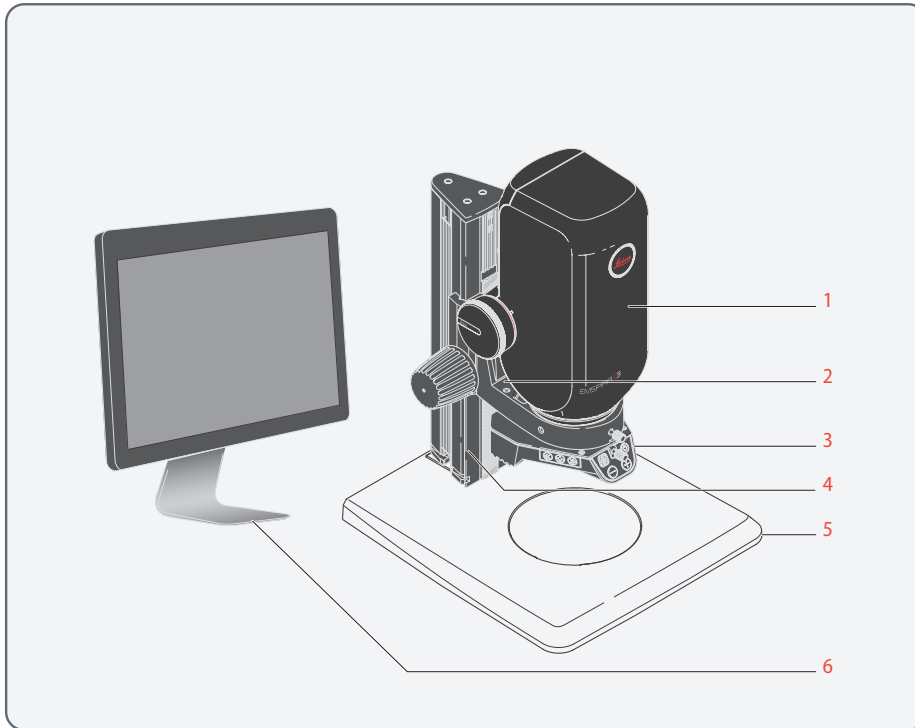
Apple Store

Emspira 3 Overview



1. Ethernet connection
2. 3x USB port for mouse, keyboard or Wi-Fi dongle (USB Type-A)
3. ON/OFF switch
4. PC / power supply connection (USB Type-C)
5. Connection for handswitch / footswitch (2.5 mm phone jack)
6. Monitor port (stand-alone mode)
7. USB SPEED port (for stand-alone operation, insert USB thumb drive for data storage here)
8. Zoom knob
9. Click-stop slider
10. Emspira 3 mounting fixture in the microscope carrier
11. Objective (not included in the delivery package)

System Overview



This overview shows Emspira 3 in an example application with additional components.

1. *Emspira 3*
2. *Microscope carrier*
3. *Illumination*
4. *Focusing column*
5. *Baseplate*
6. *HD monitor or computer with Enersight Desktop Software*

Assembly

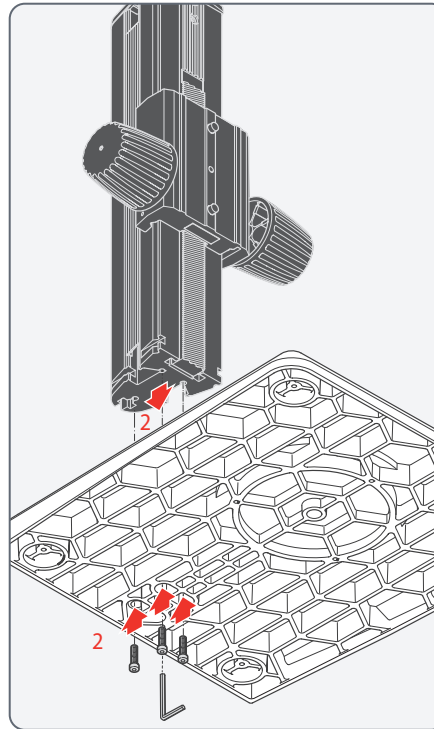
Emspira 3 With Incident Light Base

General notes



This chapter shows an example of assembly of Emspira 3 on an incident light base. Images and descriptions may vary when using another incident light base.

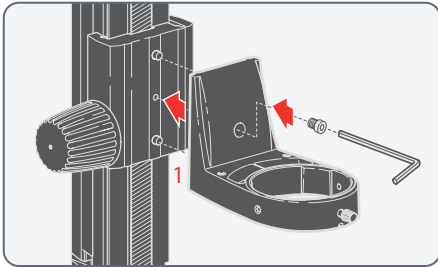
Assembling the column



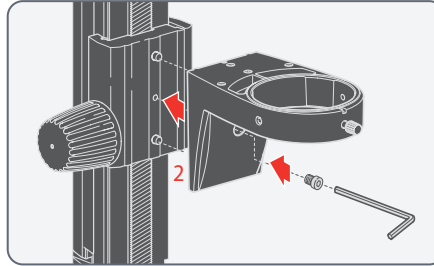
1. Take the three provided screws out of the packaging.
2. Install the incident light base on the column using the three screws.

Emspira 3 With Incident Light Base (Continued)

Assembling the microscope carrier

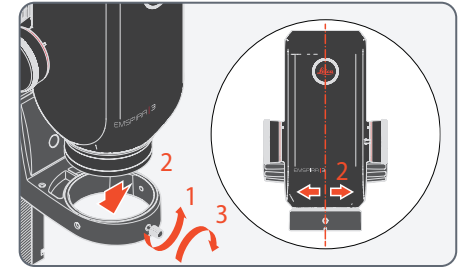


1. Fasten the microscope carrier to the column using the provided Allen key and the screw provided (recommended variant for objectives with a short working distance).



2. Alternatively, install the microscope carrier upside-down (recommended variant for objectives with a large working distance).

Mounting Emspira 3



1. Unscrew the clamping screw.
2. Place Emspira 3 in the microscope carrier so that the notch in the microscope housing and the lower clamping screw overlap.
3. Fasten Emspira 3 in place using the clamping screw.

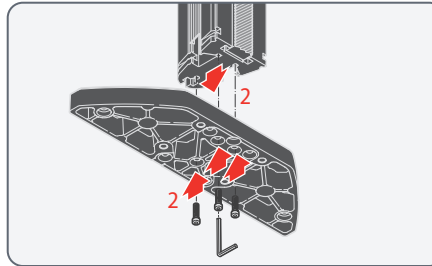
Emspira 3 With Transmitted Light Base

General notes



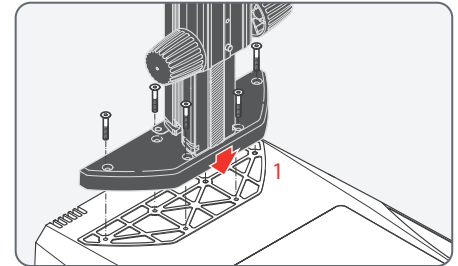
This chapter shows an example of assembly of Emspira 3 on a transmitted light base. Images and descriptions may vary when using another transmitted light base.

Installing the column adapter



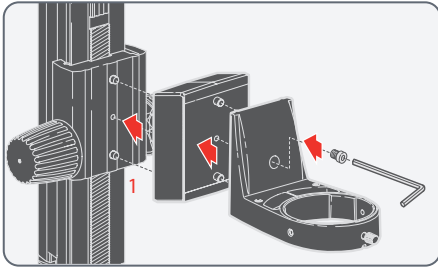
1. Take the three provided screws out of the packaging.
2. Install the column adapter on the column using the three screws.

Assembling the column



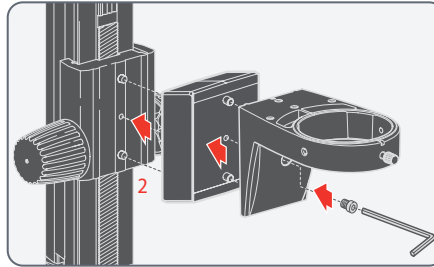
1. Install the column adapter and column to the transmitted light base using the six screws provided.

Emspira 3 With Transmitted Light Base (Continued)



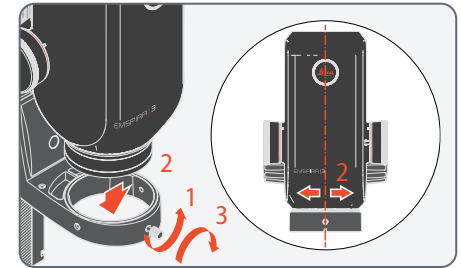
Adapter 1045434 between microscope carrier and column is required to properly position the microscope above the transmitted light base.

1. Fasten the adapter 1045434 and the microscope carrier to the column using the provided Allen key and the provided screw (recommended variant for objectives with a small working distance).



2. Alternatively, install the microscope carrier upside-down (recommended variant for objectives with a large working distance).

Mounting Emspira 3



1. Unscrew the clamping screw.
2. Place Emspira 3 in the microscope carrier so that the notch in the microscope housing and the lower clamping screw overlap.
3. Fasten Emspira 3 in place using the clamping screw.

Emspira 3 With Swing-arm Stand

Instructions for safe assembly



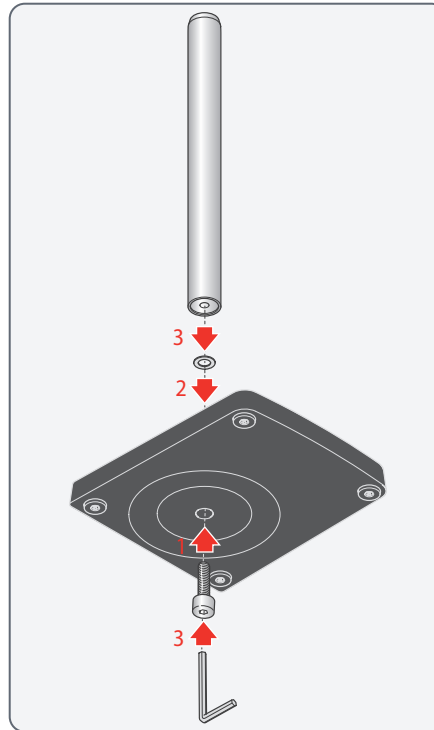
Due to the heavy weight of the baseplate, improper use can cause injuries or damage to the surrounding area. For safety reasons, use two people for this part of the setup.

General notes



This chapter shows an example of assembly of Emspira 3 on a swing-arm stand. Images and descriptions may vary when using another swing-arm stand.

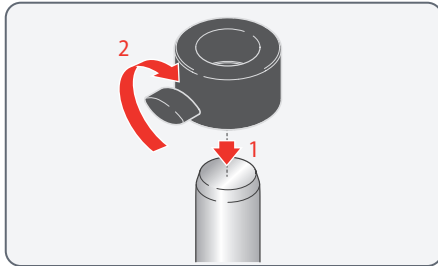
Assembling the column



1. Push the tapping screw through the base-plate from below.
2. Fit the serrated lock washer onto the screw.
3. Install the vertical column on the base plate using the screw.

Emspira 3 With Swing-arm Stand (Continued)

Installing the safety ring

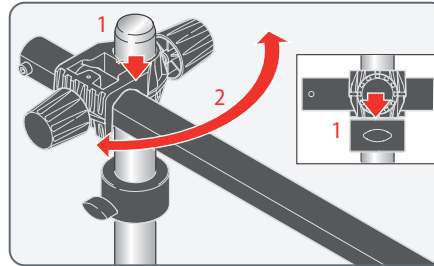


1. Push the safety ring over the column.
2. Securely tighten the clamping screw.



The safety ring is the most important safety element of the entire configuration. It protects the horizontal arm against falling down accidentally.

Mounting the horizontal arm



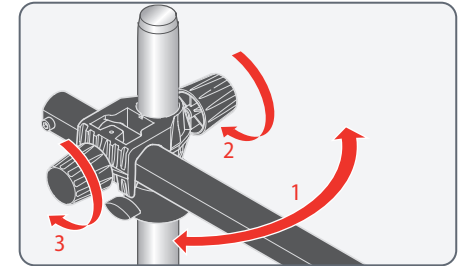
1. Push the cross-member with the horizontal arm over the column so that the cross-member lies securely on the safety ring.

You can now rotate the horizontal arm in any direction desired.



The swing-arm stand is designed so that Emspira 3 can be moved as desired. However, it may also be logical in some instances to fasten Emspira 3 in place.

Fastening the horizontal arm



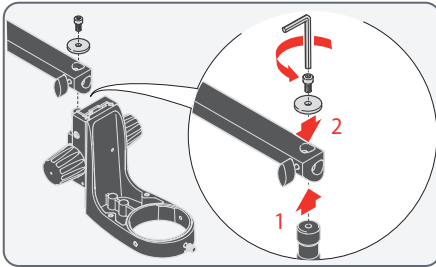
1. Rotate the horizontal arm into a secure position.
2. Carefully tighten the clamping screw on the cross-member to prevent the joint on the column from rotating.
3. Tighten the clamping screw to prevent the arm from extending.



For safety reasons, you should fasten the horizontal arm in place when you leave your workstation.

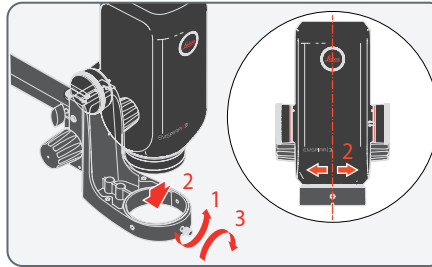
Emspira 3 With Swing-Arm Stand (Continued)

Assembling the microscope carrier



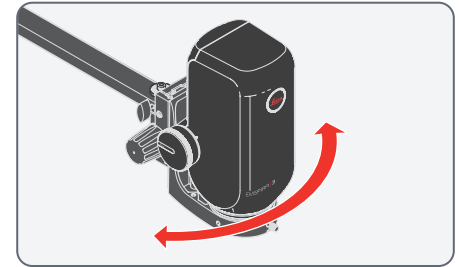
1. Insert the connecting pin from below into the bore of the horizontal arm.
2. Fasten the microscope carrier in place using the washer and safety screw.

Mounting Emspira 3



1. Unscrew the clamping screw.
2. Place Emspira 3 in the microscope carrier so that the notch in the microscope housing and the lower clamping screw overlap.
3. Fasten Emspira 3 in place using the clamping screw.

Free movement of Emspira 3

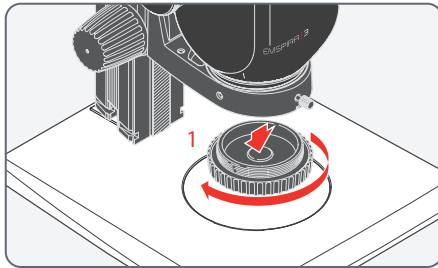


Emspira 3 can be rotated freely together with the microscope carrier.

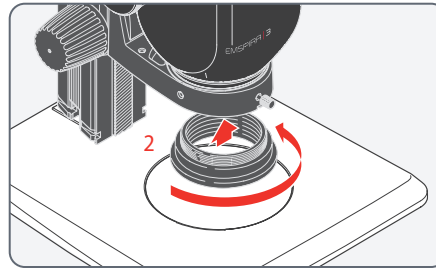
Objective and Illumination

Installing Standard Planapochromatic Objective for Measurement Tasks

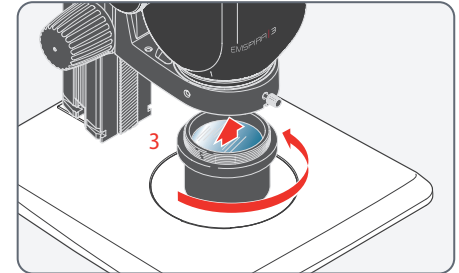
Assembly



1. Remove the protective cap on the optics carrier by turning it.



2. Screw the compatible adapter onto the optics carrier.



3. Screw the objective onto the adapter.

Instructions for safe assembly



Hold the objective firmly during assembly and disassembly so that it does not fall onto the stage plate. Remove all specimens from the stage plate first.



The objective is not part of the standard delivery of Emspira 3.

Objective	Leica article number	Compatible adapter
0.8× planapochromatic Z-series	10 446 360	10 450 651
1.0× planapochromatic Z-series	10 447 176	10 450 651

Optional Achromatic Objective

Instructions for safe assembly

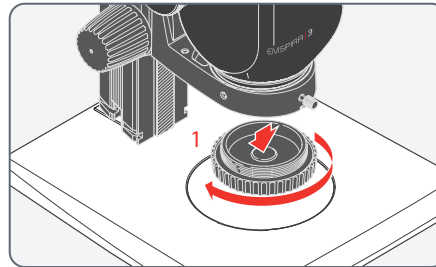


Hold the objective firmly during assembly and disassembly so that it does not fall onto the stage plate. Remove all specimens from the stage plate first.

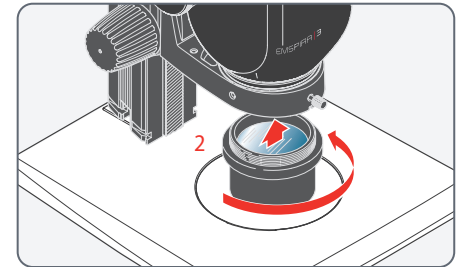


The objective is not part of the standard delivery of Emspira 3.

Assembly



1. Remove the protective cap on the optics carrier by turning it.



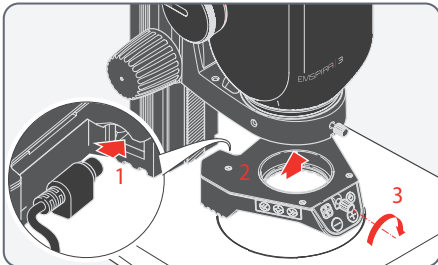
2. Screw the objective into the optics carrier.

Illumination: LED3000 RL



To ensure eye safety, read the user manual of the illumination, in particular the safety instructions.

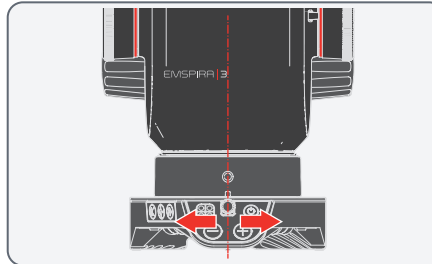
Installing the LED3000 RL



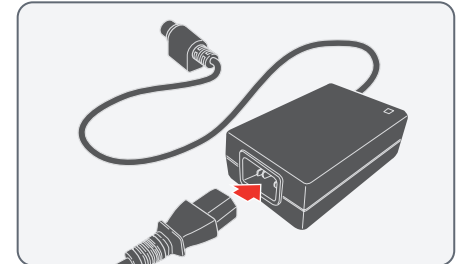
1. Connect the external power supply unit (10 450 266) to the LED3000 RL.
2. Attach the LED3000 RL to the objective from below.
3. Tighten the locking screw.



The supported working distance is between 60 mm and 150 mm.



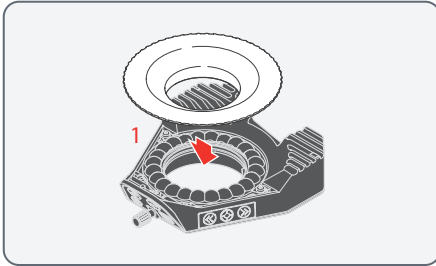
Ensure that the locking screw of the illuminator and the locking screw of the optics carrier are on a straight line.



4. Connect the power supply to the power cable.

Illumination: LED3000 RL (Continued)

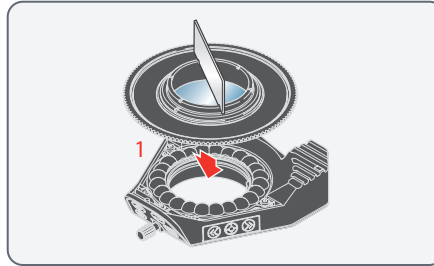
Installing optional accessories



1. Attach the optional diffuser and screw it in below the ring illuminator.



We recommend assembling the accessories on the LED3000 RL on a table in reverse and then mounting them on the objective together.



1. Attach the optional polarization set (polarizer and analyzer) and screw it in below the ring illuminator.

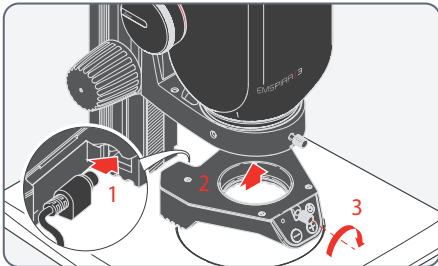
The provided small metal plate is used as a fastening aid in the process.

Illumination: LED3000 NVI



To ensure eye safety, read the user manual of the illumination, in particular the safety instructions.

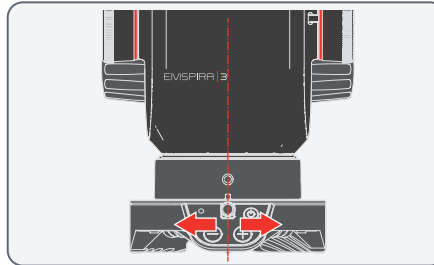
Installing the LED3000 NVI



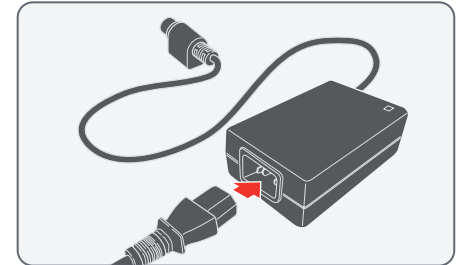
1. Connect the external power supply unit (10 450 266) to the LED3000 NVI.
2. Attach the LED3000 NVI to the objective from below.
3. Tighten the locking screw.



The supported working distance is between 60 mm and 150 mm.



Ensure that the locking screw of the illuminator and the locking screw of the optics carrier are on a straight line.



4. Connect the power supply to the power cable.

Illumination: LED5000 SLI, LED3000 SLI, LED3000 DI



To ensure eye safety, read the user manual of the illumination, in particular the safety instructions.

Assembly

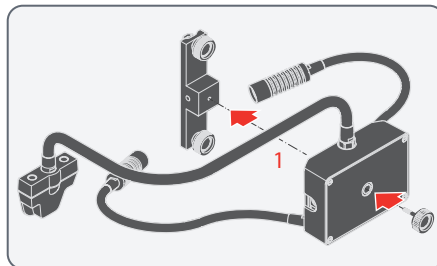


The spot and diffuse illuminator is installed on the focusing column using an adapter.

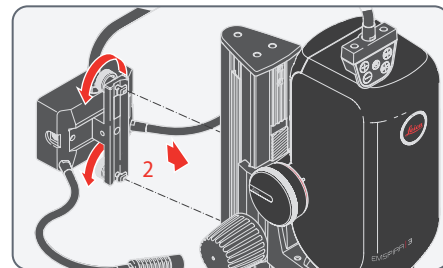


The LED5000 SLI and its longer goosenecks should be avoided for installation on a large incident light base (10 450 049) or a transmitted light base. Leica Microsystems recommends the LED3000 SLI for installation on a small or medium incident light base (10 446 340 / 10 447 342).

Installation on routine focusing columns



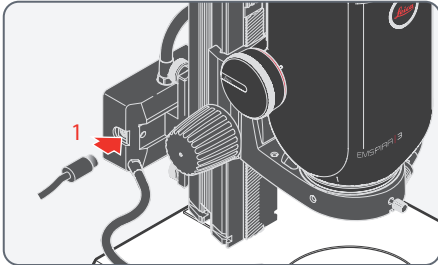
1. Screw the spot illuminator to the adapter 10 450 570.



2. Install the adapter to the rear side of the focusing column. In doing so, the height can be adapted to your requirements.

Illumination: LED5000 SLI, LED3000 SLI, LED3000 DI (Continued)

Power supply via external power supply unit



1. Connect the external power supply unit (10450266) to the LED5000 SLI, LED3000 SLI or LED3000 DI.

The right and left side of the spot illuminator both have a socket.

Second CTL2 socket



An additional LED illuminator from Leica (RL or NVI) can be connected to the spot illuminator's second CTL2 socket.

Installation

Stand-Alone Mode: Cables and Terminals

General notes



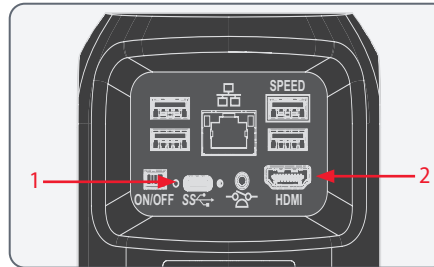
Emspira 3 is designed for the use of 4K and HD-capable (high definition) monitors. We recommend connecting the HD / 4K monitor using an HDMI connector and not using any adapters (e.g. DVI), as otherwise proper function can no longer be guaranteed!



Please use only the provided 5 V power supply unit from the stand-alone kit. Using another adapter with incorrect voltage can substantially damage Emspira 3.

The color of the LED indicates that the power supply is not sufficient: it's red when the supply doesn't provide enough current and it automatically turns off the USB ports.

Power supply and HD / 4K monitor



1. Connect Emspira 3 to a suitable power socket using the supplied power supply.
2. Connect Emspira 3 to the HD/4K monitor using the HDMI cable.

Emspira 3 detects the monitor automatically and displays a live image.

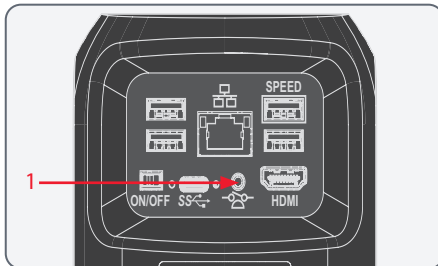
Stand-Alone Mode: Installing Optional External Devices



The optional external devices (handswitch, footswitch, USB thumb drive, wireless USB mouse) can be configured in the OSD menu.

For information on configuring the external devices, refer to the On-Screen-Display User Manual.

Installing the handswitch / footswitch



1. Plug the handswitch/footswitch in the designated connection port on the rear side of the Emspira 3 (2.5 mm phone jack).

Installing the USB thumb drive

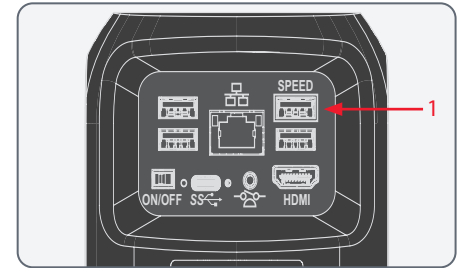


Make sure to read the following instructions about formatting and handling the USB thumb drive provided in order to prevent malfunctions during image acquisition.

File system and formatting:

The exFAT or FAT32 file system is required for the thumb drive to work correctly, as it is detected by EMSPIRA 3. Most USB thumb drives are factory-formatted with FAT32 so that they can be used immediately.

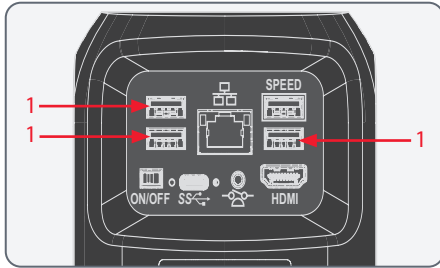
If the USB thumb drive is formatted differently, Emspira 3 provides the ability to reformat it as exFAT. You have to press "USB Eject" button but do not remove the stick and then go to the settings page to format. During this process all data on the stick are erased.



1. To ensure fast data storage, insert the USB thumb drive with sufficient free memory in the USB SPEED port on the rear side of Emspira 3.

Stand-Alone Mode: Installing Optional External Devices (Continued)

Installing the wireless USB mouse



1. Plug in the USB cable or the USB transmitter of a wireless USB mouse in an unused USB port on the rear side of Emspira 3.

Please do not use the USB SPEED port as this is required for the USB thumb drive.

2. Switch on the wireless USB mouse.

The connection between the wireless transmitter and Emspira 3 will be arranged automatically. It is not necessary to "pair" the devices with each other.

Installing the 10" touch monitor

Emspira 3 can be operated via a 10" touch monitor (10450923 for boom stand; 10450924 for standard columns). Installation of the 10" monitor arm to the standard column is analogous to installation of the LED3000 SLI (see "Illumination: LED5000 SLI, LED3000 SLI, LED3000 DI", page 31).

Proceed as follows to connect the 10" monitor to Emspira 3:

1. Connect the HDMI cable from the stand-alone kit to the HDMI ports.
2. Plug in the USB cable of the monitor in an unused USB port on the rear side of Emspira 3.



Please do not use the USB SPEED port as it is required for the USB thumb drive.

3. Connect the 10" monitor power supply.
4. Switch on Emspira 3 and the 10" monitor.

The connection between the monitor and Emspira 3 is established automatically.



A short press on the monitor corresponds to a left-click, a long press on the monitor corresponds to a right-click. Swiping corresponds to scrolling via mouse wheel. You can use the touch functionality and a USB mouse in parallel in stand-alone mode.

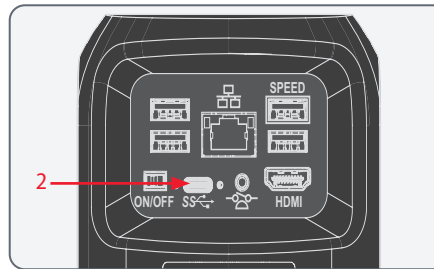
PC Mode: Connecting a Computer, Installing Software

Installation and connection



For instructions on installing and using the software for PC mode, refer to the "Quick Installation Guide".

1. After downloading the software, follow the instructions for installing the software. The computer must have sufficient free hard drive space.



2. Connect Emspira 3 to a USB 3 port of the computer using the USB C cable.

Emspira 3 is powered by the computer via the USB C cable.

Network & WLAN Settings



For information on adapting network and WLAN settings, refer to the On-Screen-Display User Manual.

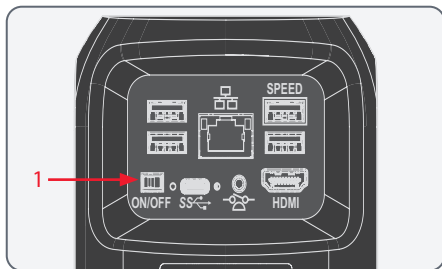
Startup Procedure

LED Color & Blink Codes

Mode	Color	Description
All	Red, blinking	Emspira 3 is booting.
	White	3A capable power supply detected (recommended operating condition).
	Red	<ul style="list-style-type: none">● 1 A capable power supply detected.● Only the preferred USB 2.0 port is powered.● Further power reduction might be activated.
Stand-alone mode	Blue, blinking	<ul style="list-style-type: none">● Emspira 3 is in fall-back mode, e.g. after a failed firmware update or more than 5 failed boot attempts.● User can retry firmware update.
	Red, blinking (capturing)	An image is captured.
	Red, blinking (video recording)	A video is recorded.

Switching on Emspira 3

Stand-alone mode



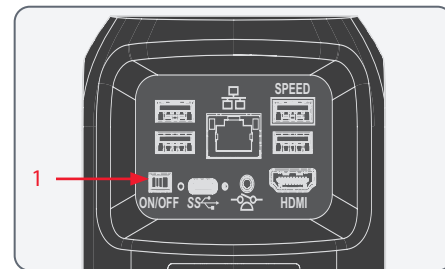
Ensure that the camera can receive light from Emspira 3 and is connected to a HD / 4K monitor and a power supply.

1. Set the ON/OFF switch to "ON" to switch on Emspira 3.

During the boot sequence the status LED is blinking green and switches to a continuous white the moment it is ready to use. Now the live image and the OSD are available throughout the connected HDMI monitor.

Emspira 3 automatically detects the HD / 4K monitor.

PC mode



1. Set the ON/OFF switch to "ON" to switch on Emspira 3.


The status light's LED switches from blinking green to a continuous white, a signal tone sounds and the live image is displayed on the computer.


Emspira 3 is ready to use.


2. Start Leica Application Enersight Desktop.
3. Follow the instructions in the software for adjusting and acquiring an image.

Switching on the Illumination

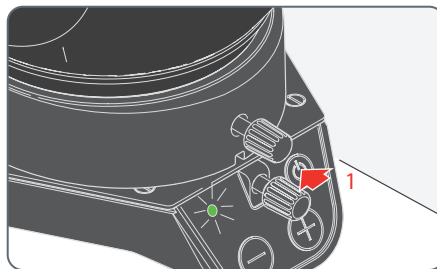
General notes

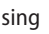
 The light from the LED illuminator from Leica can be very bright. Avoid looking directly into the LEDs.

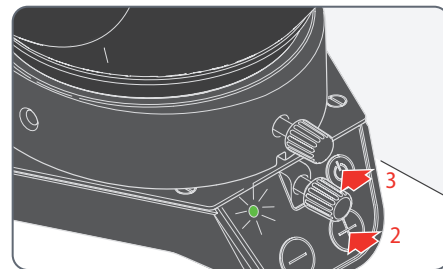
 The intensity of the illuminator can be adjusted in 10 increments.



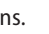
 When pressing the buttons, hold the keypad between your thumb and index finger. Avoid tapping the keypad with just one finger if possible.


Use



1. Switch on the illuminator by briefly pressing the  (ON/OFF) button. The green LED on the upper left corner now lights up.

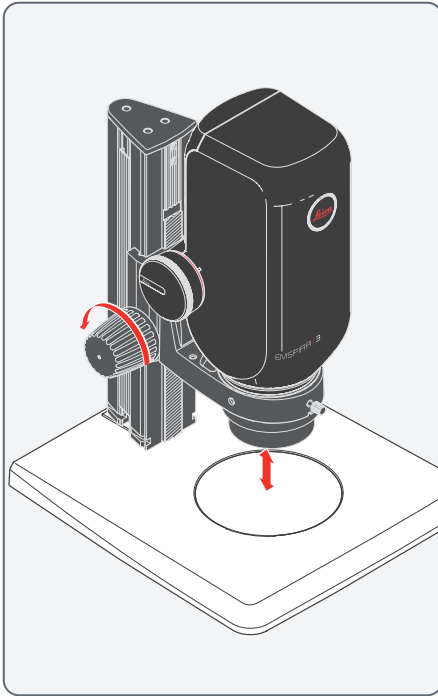


2. Adjust the brightness by briefly pressing the  or  buttons.
3. Switch off the illuminator by briefly pressing the  button.

 The LED3000 RL, LED3000 NVI, LED5000 SLI and LED3000 SLI are operated very similarly.

Focusing, Adjusting the Resistance of the Focus Drive

Focusing



Focusing raises or lowers Emspira 3 using the focusing drive. The specimen detail is brought into sharp focus as soon as it is in the focal point of the objective.



The focusing drive can be operated either left- or right-handed.

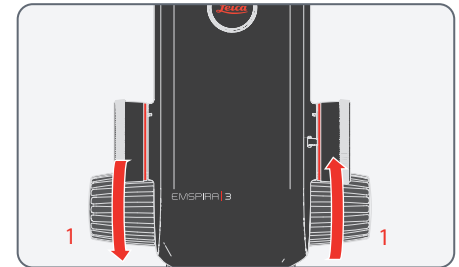
Adjusting the resistance

Is the focusing drive too loose or too tight? Does the equipment tend to slide downwards? The resistance can be adjusted individually depending on the equipment weight and personal preferences as follows:

1. Grip the drive knobs with both hands and turn them towards each other until the desired resistance is reached during focusing.

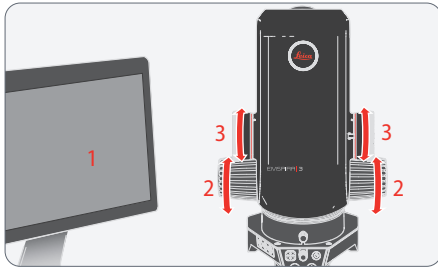


On focusing columns with separate coarse and fine adjustment, the outer drive knobs have to be twisted in opposite directions relative to each other.



Changing Magnification, Click-stop Feature

Changing the magnification (zoom)



1. Look at the monitor.
2. Focus on the specimen.
3. Rotate the magnification changer until the desired magnification is configured or it has to be refocused.



The rotary knob for the zoom can be used either left or right-handed.

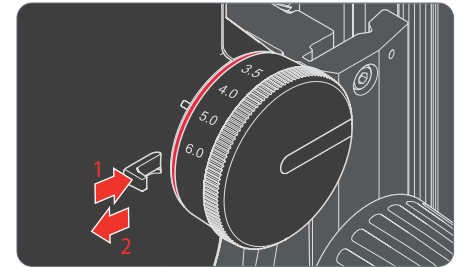


The magnification changer can optionally be operated either with or without click stops enabled. Continuous zoom is possible when the click stops are disabled. On the other hand, when the click stops are enabled, photographs, measurement results etc. can be reproduced more accurately.



Parfocality: Emspira 3 is parfocally matched. If the specimen is in focus at the highest magnification level, this remains true across the entire magnification range.

Enabling and disabling click stops



1. Push the button towards the knob to enable the click stops.
2. Push the button away from the knob to disable the click stops.

Operation (Stand-Alone Mode)

Operation in Stand-Alone Mode



For information on setting up and switching on Emspira 3 in stand-alone mode, refer to chapters:

- "Stand-Alone Mode: Cables and Terminals", page 34
- "Switching on Emspira 3", page 41, subchapter "Stand-alone mode", page 41



For information on working with the OSD menu, refer to the On-Screen-Display User Manual.

Operation (PC Mode)

Operation in PC Mode



For information on setting up and switching on Emspira 3 in PC mode, refer to chapters:

- "PC Mode: Connecting a Computer, Installing Software", page 37
- "Switching on Emspira 3", page 41, subchapter "PC mode", page 42

Additional Parallel Use of an HD / 4K Monitor

General notes

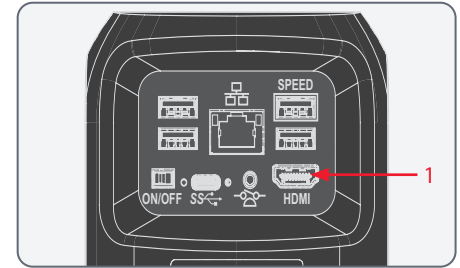


An additional HD / 4K monitor can be connected via the HDMI interface when Emspira 3 is operated in PC Mode. The on-screen display (OSD) functionality is turned off on the monitor.



The resolution on the connected HD / 4K monitor is always a 16:9 format and independent of the PC resolution.

Connecting the HD / 4K monitor



1. Connect Emspira 3 to the HD / 4K monitor using the HDMI cable.

Troubleshooting

Troubleshooting

Stand-alone operation

If Emspira 3 is configured for 4K resolution and attached to a Full-HD monitor with only 1,080 p resolution, Emspira 3 should detect this and switch automatically to the necessary resolution.

However, if no image appears and the screen reports an error message like "out of range" or something similar, you can reset the resolution to 1,080 p.

How to reset Emspira 3?

1. Power Emspira 3 off.
2. Unplug the USB mouse.
3. Restart Emspira 3.
Emspira 3 will restart in Full-HD 1,080 p mode and a live image will appear.
4. Plug in the USB mouse again and configure the correct live image resolution.

Care and Maintenance

Care, Maintenance, Contact Persons

General

We hope you enjoy using your high-performance digital microscope. Digital microscopes from Leica are renowned for their robustness and long service life. Observing the following care and cleaning tips will ensure that even after years and decades, Emspira 3 will continue to work as well as it did on the very first day.

Warranty benefits

The guarantee covers all faults in materials and manufacture. It does not, however, cover damage resulting from careless or improper handling.

Contact address

If Emspira 3 no longer works perfectly, contact your Leica Microsystems representative. You can find information on worldwide Leica representatives on the Leica Microsystems website: www.leica-microsystems.com.

Care

- Keeping all optical components clean is important for maintaining good optical performance.
- If any optical surface becomes badly coated with dust or dirt, flush the surface using a syringe or by brushing it off with a camel hair brush before attempting to wipe it clean.
- Optical surfaces should be cleaned using a lint-free cloth, lens cloth or cotton swab soaked in ethanol or a commercially available glass cleaner. Do not use alcohol.
- Avoid excessive use of solvents. The lint-free cloth, lens cloth or cotton swab should be soaked with solvent, but not so wet that solvent runs over the lens.
- Protect Emspira 3 from moisture, fumes and acids and from alkaline, caustic and corrosive materials and keep chemicals away from Emspira 3 and its accessories.

- Plugs, optical systems and mechanical parts must not be disassembled or replaced, unless doing so is specifically permitted and described in this user manual.
- Protect Emspira 3 from oil and grease.
- Do not grease guide surfaces or mechanical parts.

Protection from dirt

Dust and dirt will affect the quality of your results.

- Put an optionally available dust cover over Emspira 3 when it will not be used for a long time.
- Keep accessories in a dust-free place when not in use.

Care, Maintenance, Contact Persons (Continued)

Cleaning polymer components

Some components are made of polymer or are polymer-coated. The use of unsuitable cleaning agents and techniques can damage polymers.

Permitted measures

- Clean Emspira 3 using warm soapy water, then wipe using distilled water.
- For stubborn dirt, you can also use ethanol (industrial alcohol). When doing so, follow the corresponding safety regulations.
- Remove dust with a bellows and a soft paintbrush.
- Clean the objectives with special optics cleaning cloths and pure alcohol.

Servicing

- Repairs may only be carried out by Leica Microsystems-trained service technicians. Only original Leica Microsystems spare parts may be used.

Danger of electric shock



Risk of electric shock. Removing the cover of Emspira 3 exposes electrically live parts, which, if touched, can cause potentially fatal injuries. Have technical service carried out by a Leica Microsystems authorized dealer.

Spare Parts

Item	Leica article number	Designation
1	10 726 529	HDMI cable (2 m)
2	19 002 015	C-Mount Cap
3	10 726 837	USB C / USB A cable
4	10 726 490	Power supply with USB C connector
5	10 747 551	USB stick 64 GB

Optional Sales Item

Item	Leica article number	Designation
1	12 730 229	Palm/footswitch
1	10 450 860	Emspira 3 Standalone Kit

Disposal

Disposal

After the end of the product's life, please contact Leica Service or Leica Sales on how to dispose of it.

Like all electronic devices, Emspira 3, its components and accessories may not be disposed of as general household waste!



Please observe the national laws and ordinances which, for example, implement and ensure compliance with EU directive WEEE 2012/19/EU.

Specifications

Technical Data

General optical data¹*

Max. resolution	680 lp/mm @ 2xobjective
Max. FoVx	76.1 mm @ 16:9 4k
Max. FoVy	42.8 mm @ 16:9 4k
Max. DoF	40.5 mm
Working distance	303 – 19 mm

Optical data for PlanApo 1.0x

Optical data	Emspira 3 @ 6.0x zoom	Emspira 3 @ 0,75x zoom
Resolution ¹	340 lp/mm	42.5 lp/mm
FoVx	3.0 mm	24.1 mm
FoVy	1.7 mm	13.6 mm
DoF	0.06 mm	4.1 mm
Measurement accuracy*	+/- 1.5%	+/- 3%
Max. measurement accuracy **	+/- 0.5%	+/- 1%

¹ on a 28" monitor

* according to ISO 18221

All accuracy data were determined with a PlanApo 1.0x objective & adapter (10447176 and 10450651) and a stage micrometer (10310345) across the entire FOV using the On-Screen-Display and a 28" 4k monitor. Accuracy data were determined either using *factory calibration ("out-of-the-box" accuracy) or **using a calibration at the current zoom setting prior to the measurement. The shown values represent the mean accuracy of 5 measurements across the FOV, one in the center of the screen and 4 at each corner of the screen on three Emspira 3 systems.



- Highest measurement accuracy is achieved within the center 2/3 of the screen.
- Highest measurement accuracy is achieved when the zoom setting is not changed anymore after calibration

Technical Data (Continued)

Working distances

Objective	Adapter	Value
Achromatic 0.32×	-	303 mm
PlanApo 0.5x	Adapter: 10450652 Adapter for measurement task: 10450650	187 mm
Achromatic 0.63×	-	148 mm
PlanApo 0.8x	Adapter: 10450652 Adapter for measurement task: 10450651	112 mm
PlanApo 1.0x	Adapter: 10450652 Adapter for measurement task: 10450651	97 mm
Achromatic 1.25×	-	66 mm
Achromatic 1.6×	-	46 mm
PlanApo 2.0x	Adapter: 10450652	39 mm
PlanApo 5.0x	Adapter: 10450652	19 mm

Technical Data (Continued)

Objective

Optics carrier	
Design engineering	Multi-layered tempered optics system with beam path and main objective, lead-free
Coding	Fully coded zoom
Specific surface resistivity (housing)	2×10 ¹¹ Ω/mm ² Discharge time <2 seconds from 1,000 V to 100 V
Click-stop feature	Eight switchable positions, for repetitive tasks
Standard objective	Z-Series planapochromat 1.0x
Additional objectives	Achromat: 0.32x, 0.5x, 0.63x, 0.8x, 1x, 1.25x, 1.6x, 2x
Additional objectives (with adapter)	Z-series planapochromat: 0.5x, 0.8x

Accessories	
Adapter for measurement tasks	For Z-series planachromat: 0.8x, 1x
Footswitch	For hands-free operation (e.g. image acquisition and other tasks)

Technical Data (Continued)

Microscope camera specifications

Characteristics	Value
Weight	1.71 kg (zoom body)
Live image on an HDMI monitor	at up to 60 fps (3,840 × 2,160 pixels)
Full-screen image capture	at 12 MP
Sensor diagonale	7.81 mm (type 1/2.3" CMOS)
Pixel size	1.55 µm × 1.55 µm
Input	5 V DC / 3 A
Power consumption	15 W
Supported software	Energisight Desktop; Energisight Mobile
File formats	JPG, TIF, BMP
Color filter	IR-cut coating 650 nm, not replaceable

Housing

Characteristics	Value
Material	PC/ABS
Antimicrobial surface	AgTreat™ according to ISO 22196
Protection rating	IP 21

Electronic interfaces

Characteristics	Value
Compatibility	USB 3.0, standard USB type C, lockable
High-definition connector	HDMI 2.0a, HDMI plug type A
USB connectors	4× USB 2 connectors, type A
On / Off switch	1× (on rear side of Emspira 3)
2.5 mm Jack connector	1× (for handswitch / footswitch)
Multicolor status LED	1×

Technical Data (Continued)

Ambient conditions

Characteristics	Value
Operating temperature	10 °C to 40 °C (50 °F to 104 °F)
Relative humidity for storage/ operation	10 % – 90 % (non condensing)
Pollution degree	2
Use	For indoor use only
Installation category	II (overvoltage category)
Altitude operation	0 m to 2,000 m (0 ft to 6,561 ft)

Miscellaneous

Characteristics	Value
Power supply	Power supplied via USB from computer (PC mode / Enersight Desktop) or by external power supply (stand-alone mode)
Min. computer configuration	Please consult the software used
Tested standards	EN 55011, EN 61326-1, EN 61010-1

Power supply (optional)

Characteristics	Value
Manufacturer	Sinpro Electronics Co., Ltd., 18F, NO.80, Minzu 1st Rd., Sanmin District, Kaohsiung City 807, Taiwan
Model identification	SPU25A-102
Input voltage	90–264 V AC
Input frequency	47–63 Hz
Output voltage	5 V DC
Output current	max. 3.3 A
Output power	max. 16.5 W
Average active efficiency	82.5 %
Efficiency at high load (10 %)	79.5 %
No-load power consumption	0.014 W

Optical Data – Field of View

Identical for both 10" and 28" monitors:

Objective	Achr. 0.32×		PlanApo 0.5×		Achr. 0.63×		PlanApo 0.8×		PlanApo 1.0×		Achr. 1.25×		Achr. 1.6×	
Working distance	303 mm		187 mm		148 mm		112 mm		97 mm		66 mm		46 mm	
Field of view (zoom setting)	FOVx	FOVy	FOVx	FOVy	FOVx	FOVy	FOVx	FOVy	FOVx	FOVy	FOVx	FOVy	FOVx	FOVy
0.75	76,1	42,8	48,2	27,1	38,2	21,5	30,0	16,9	24,1	13,6	19,3	10,9	15,1	8,5
1.0	57,1	32,1	36,2	20,3	28,7	16,1	22,5	12,7	18,1	10,2	14,5	8,2	11,3	6,4
1.25	45,7	25,7	28,9	16,3	23,0	12,9	18,0	10,1	14,5	8,1	11,6	6,5	9,1	5,1
1.6	35,7	20,1	22,6	12,7	17,9	10,1	14,1	7,9	11,3	6,4	9,1	5,1	7,1	4,0
2.0	28,6	16,1	18,1	10,2	14,3	8,1	11,3	6,3	9,1	5,1	7,3	4,1	5,7	3,2
2.5	22,8	12,8	14,5	8,1	11,5	6,5	9,0	5,1	7,2	4,1	5,8	3,3	4,5	2,5
3.2	17,8	10,0	11,3	6,4	9,0	5,0	7,0	4,0	5,7	3,2	4,5	2,5	3,5	2,0
4.0	14,3	8,0	9,0	5,1	7,2	4,0	5,6	3,2	4,5	2,5	3,6	2,0	2,8	1,6
5.0	11,4	6,4	7,2	4,1	5,7	3,2	4,5	2,5	3,6	2,0	2,9	1,6	2,3	1,3
6.0	9,5	5,4	6,0	3,4	4,8	2,7	3,8	2,1	3,0	1,7	2,4	1,4	1,9	1,1

Optical Data – Field of View (Continued)

Identical for both 10" and 28" monitors:

Objective	PlanApo 2.0x		PlanApo 5.0x	
Working distance	39 mm		19 mm	
Field of view (zoom setting)	FOVx	FOVy	FOVx	FOVy
0.75	12,0	6,8	4,8	2,7
1.0	9,0	5,1	3,6	2,0
1.25	7,2	4,1	2,9	1,6
1.6	5,7	3,2	2,3	1,3
2.0	4,5	2,5	1,8	1,0
2.5	3,6	2,0	1,5	0,8
3.2	2,8	1,6	1,1	0,6
4.0	2,3	1,3	0,9	0,5
5.0	1,8	1,0	0,7	0,4
6.0	1,5	0,8	0,6	0,3

Optical Data – Magnification and Depth of Field*

Objective		Achr. 0.32×		PlanApo 0.5×		Achr. 0.63×		PlanApo 0.8×		PlanApo 1.0×		Achr. 1.25×		Achr. 1.6×	
Monitor	Zoom setting	Total mag.	DOF	Total mag.	DOF	Total mag.	DOF	Total mag.	DOF	Total mag.	DOF	Total mag.	DOF	Total mag.	DOF
10"	0.75	2.9:1	40.5	4.5:1	16.2	5.7:1	10.2	7.2:1	6.3	9.0:1	4.1	11:1	2.6	14:1	1.6
	1.0	3.8:1	22.8	6.0:1	9.1	7.6:1	5.7	9.7:1	3.5	12:1	2.3	15:1	1.5	19:1	0.9
	1.25	4.8:1	14.6	7.5:1	5.8	9.5:1	3.7	12:1	2.3	15:1	1.5	19:1	0.9	24:1	0.6
	1.6	6.1:1	8.9	9.6:1	3.6	12:1	2.2	15:1	1.4	19:1	0.9	24:1	0.57	31:1	0.35
	2.0	7.6:1	5.7	12:1	2.3	15:1	1.4	19:1	0.9	24:1	0.6	30:1	0.37	38:1	0.22
	2.5	9.5:1	3.6	15:1	1.5	19:1	0.9	24:1	0.6	30:1	0.37	37:1	0.23	48:1	0.14
	3.2	12:1	2.2	19:1	0.9	24:1	0.6	31:1	0.35	38:1	0.22	48:1	0.14	61:1	0.09
	4.0	15:1	1.4	24:1	0.6	30:1	0.36	39:1	0.22	48:1	0.14	60:1	0.09	77:1	0.06
	5.0	19:1	0.9	30:1	0.4	38:1	0.23	48:1	0.14	60:1	0.09	75:1	0.06	96:1	0.04
6.0	23:1	0.6	36:1	0.3	45:1	0.16	58:1	0.10	72:1	0.06	90:1	0.04	115:1	0.025	
28"	0.75	8.2:1	40.5	13:1	16.2	16:1	10.2	21:1	6.3	26:1	4.1	32:1	2.6	41:1	1.6
	1.0	11:1	22.8	17:1	9.1	22:1	5.7	28:1	3.5	34:1	2.3	43:1	1.5	55:1	0.9
	1.25	14:1	14.6	21:1	5.8	27:1	3.7	34:1	2.3	43:1	1.5	54:1	0.9	69:1	0.6
	1.6	17:1	8.9	27:1	3.6	35:1	2.2	44:1	1.4	55:1	0.89	69:1	0.57	88:1	0.35
	2.0	22:1	5.7	34:1	2.3	43:1	1.4	55:1	0.9	69:1	0.57	86:1	0.37	110:1	0.22
	2.5	27:1	3.6	43:1	1.5	54:1	0.9	69:1	0.6	86:1	0.37	107:1	0.23	137:1	0.14
	3.2	35:1	2.2	55:1	0.9	69:1	0.6	88:1	0.35	110:1	0.22	137:1	0.14	176:1	0.09
	4.0	43:1	1.4	69:1	0.6	87:1	0.36	110:1	0.22	137:1	0.14	171:1	0.09	219:1	0.06
	5.0	54:1	0.9	86:1	0.4	108:1	0.23	138:1	0.14	172:1	0.09	214:1	0.06	274:1	0.04
6.0	65:1	0.6	103:1	0.3	130:1	0.16	165:1	0.10	206:1	0.06	257:1	0.04	329:1	0.025	

* according to ISO 18221

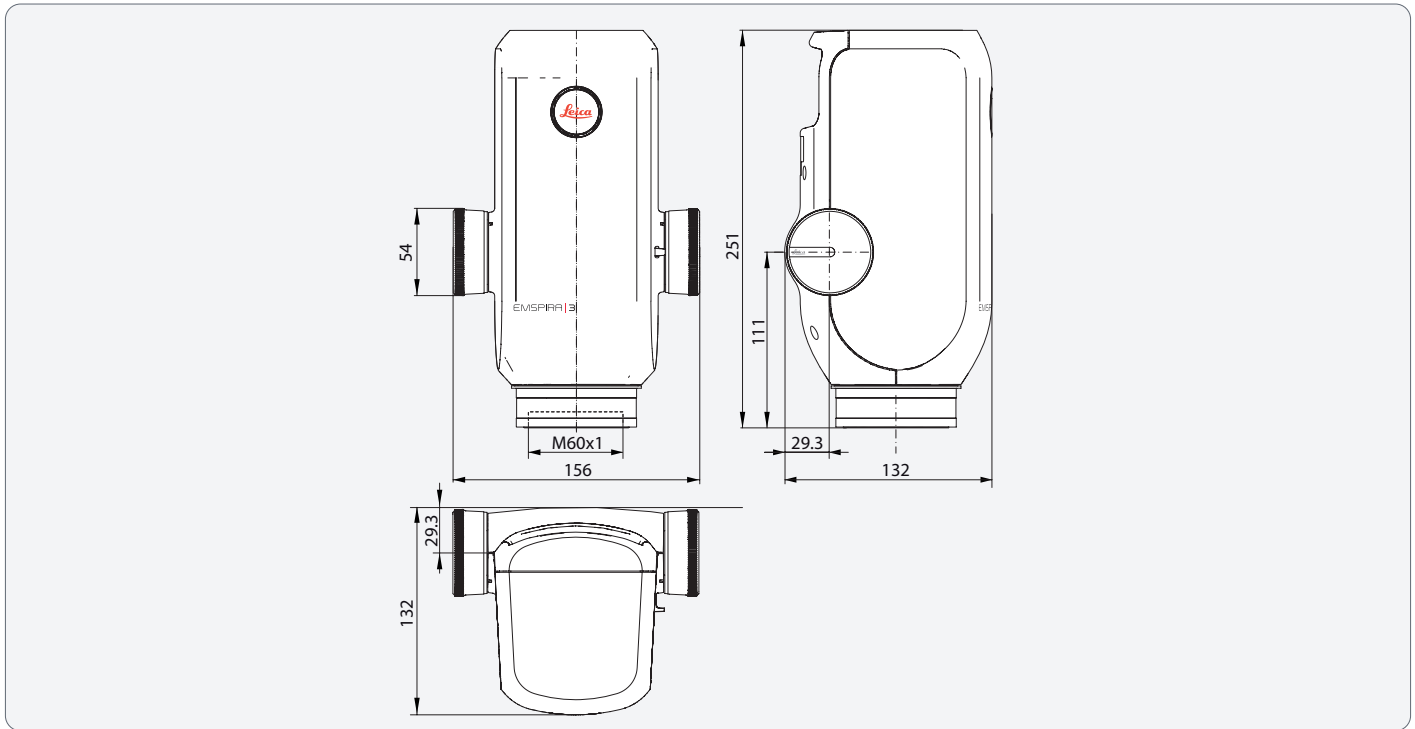
Optical Data – Magnification and Depth of Field* (Continued)

Objective		PlanApo 2.0x		PlanApo 5.0x	
Monitor	Zoom setting	Total mag.	DOF	Total mag.	DOF
10"	0.75	18:1	1.0	45:1	0.16
	1.0	24:1	0.57	60:1	0.09
	1.25	30:1	0.37	75:1	0.06
	1.6	38:1	0.22	96:1	0.036
	2.0	48:1	0.14	120:1	0.023
	2.5	60:1	0.09	150:1	0.015
	3.2	77:1	0.06	192:1	0.006
	4.0	96:1	0.036	240:1	0.009
	5.0	120:1	0.0223	300:1	0.004
6.0	144:1	0.016	360:1	0.003	
28"	0.75	52:1	1.0	128:1	0.16
	1.0	69:1	0.57	171:1	0.09
	1.25	86:1	0.37	214:1	0.06
	1.6	110:1	0.22	274:1	0.036
	2.0	137:1	0.14	342:1	0.023
	2.5	172:1	0.09	428:1	0.015
	3.2	220:1	0.06	548:1	0.009
	4.0	275:1	0.036	684:1	0.006
	5.0	343:1	0.023	856:1	0.004
6.0	412:1	0.016	1027:1	0.003	

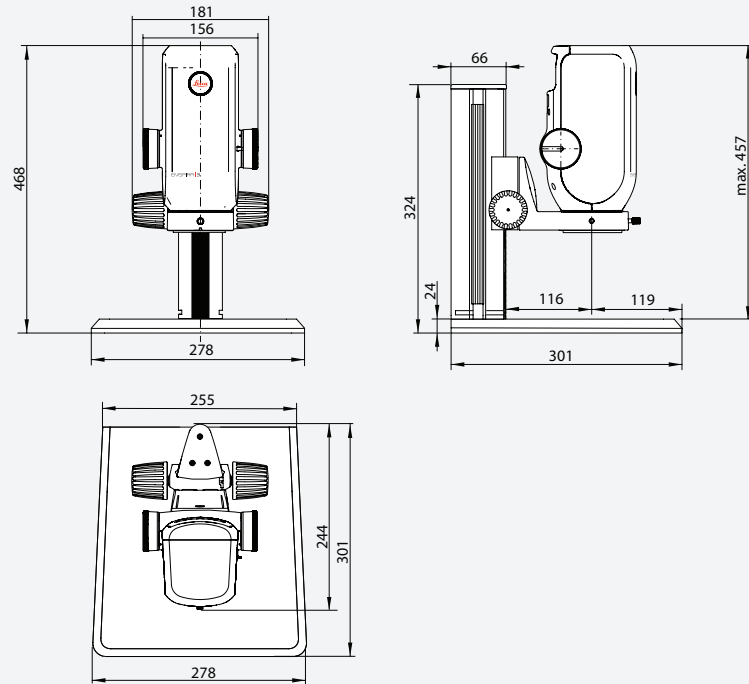
* according to ISO 18221

Dimensional Drawings

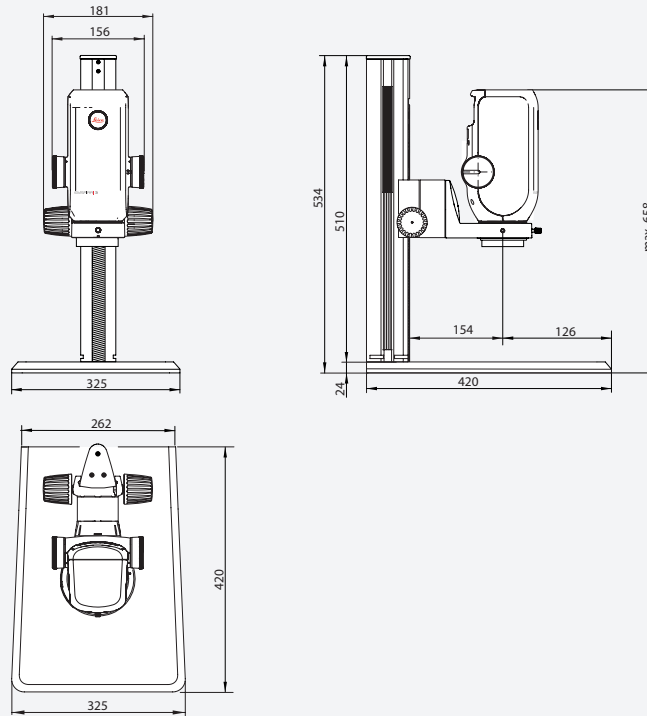
Emspira 3



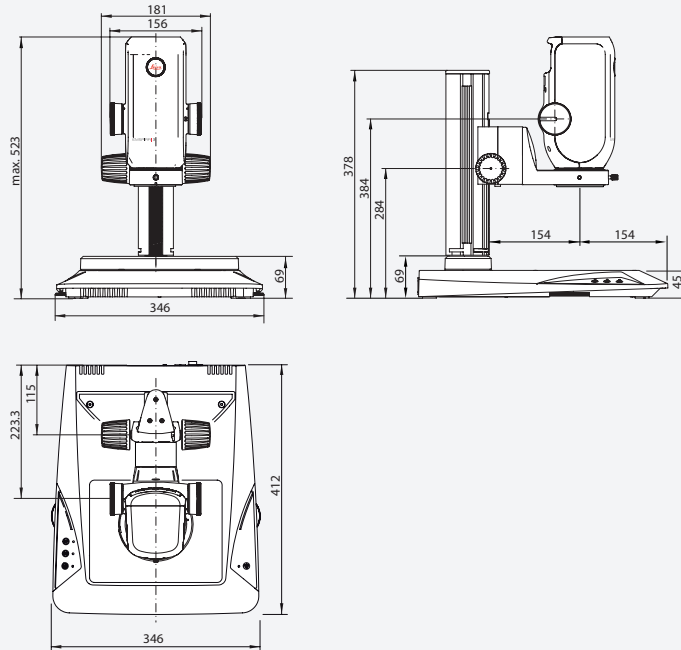
Emspira 3 With Incident Light Base



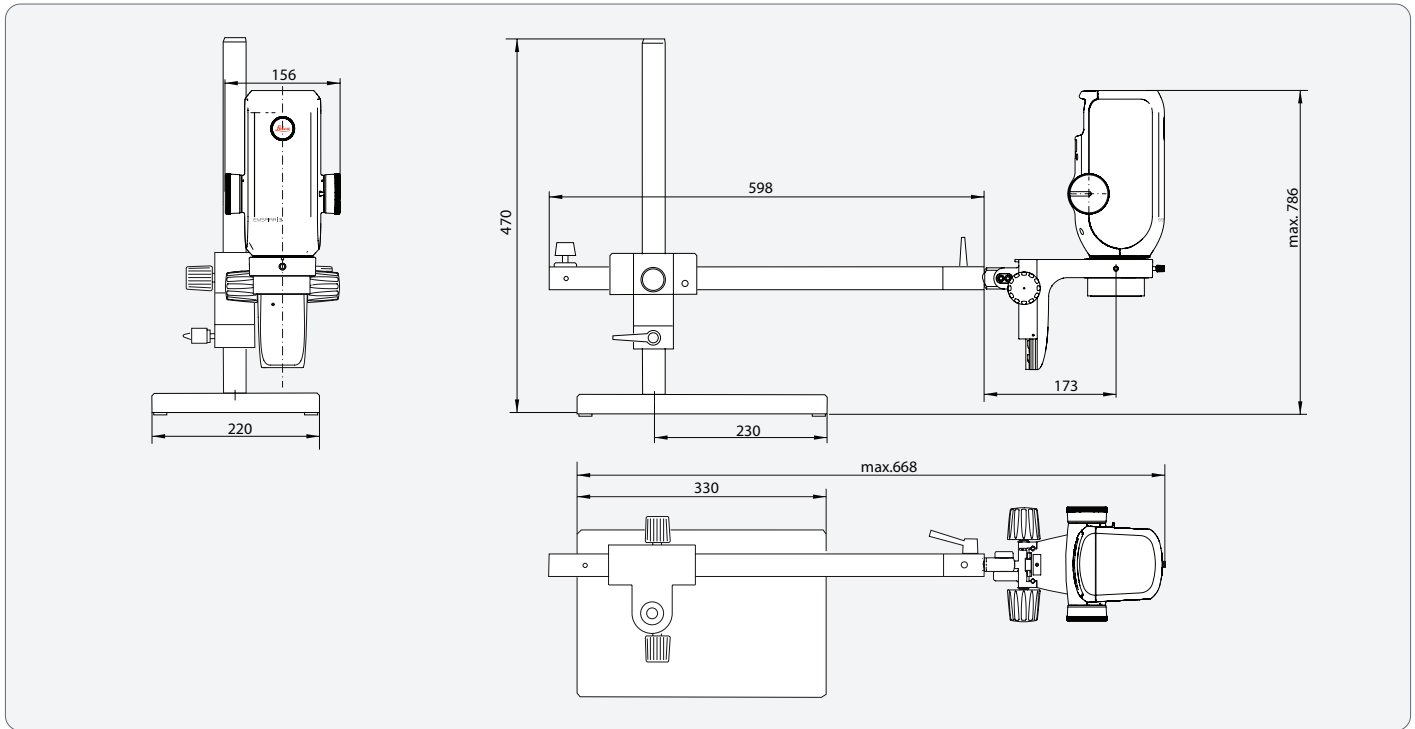
Emspira 3 With Incident Light Base (Continued)



Emspira 3 With Transmitted Light Base



Emspira 3 With Swing-Arm Stand





Leica Microsystems (Schweiz) AG · Max-Schmidheiny-Strasse 201 · 9435 Heerbrugg, Switzerland
T +41 71 726 34 34 · F +41 71 726 34 44

www.leica-microsystems.com

CONNECT
WITH US!

