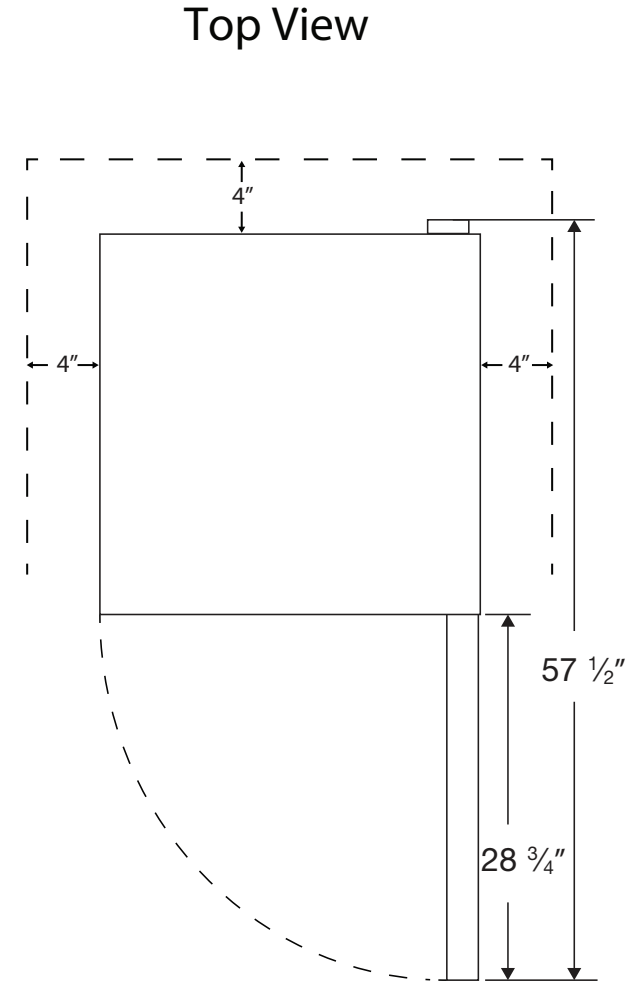
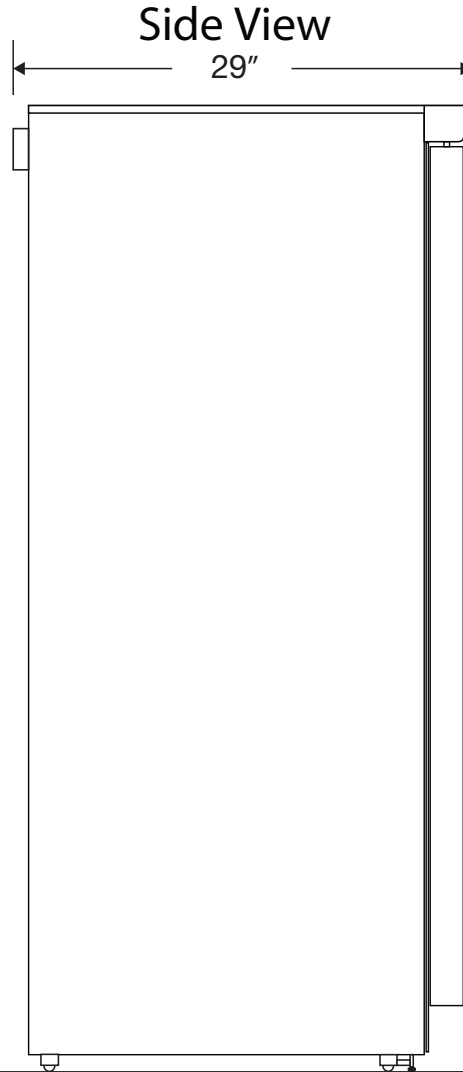
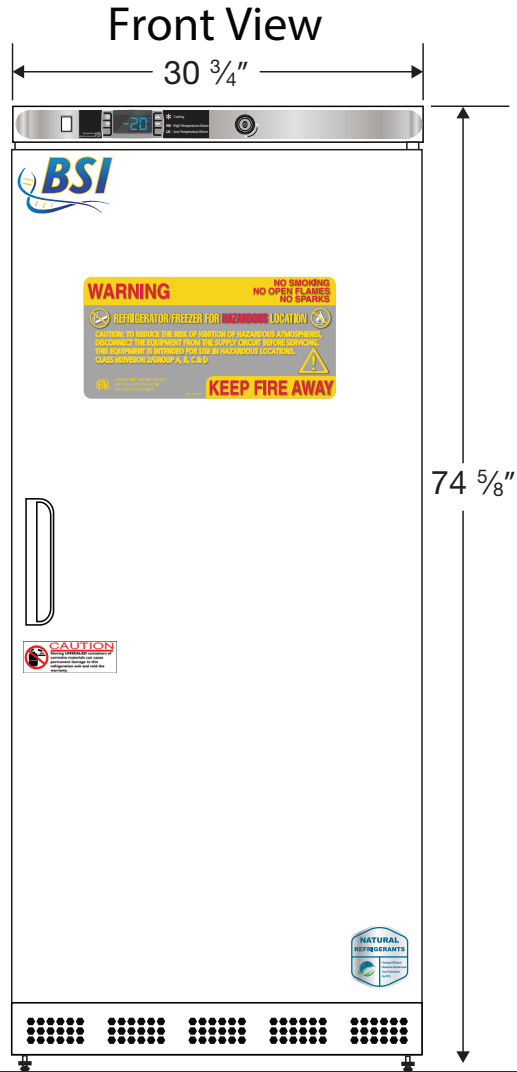




CUTSHEET

# Exterior BSI-HC-EFP-20



**NOTE: Ventilation Requirements – Minimum 4" clearance on sides and back**

Factory Sealed Wires Only

Cu. Ft	Defrost	Door	Int Door	Shelves	W"	D"	H"	Refrigerant	H.P.	Amps	Weight
20	Manual	1 Solid	0	6 Fixed	30 <sup>3</sup> / <sub>4</sub>	29	74 <sup>5</sup> / <sub>8</sub>	R290	<sup>1</sup> / <sub>2</sub>	6	210 lbs.