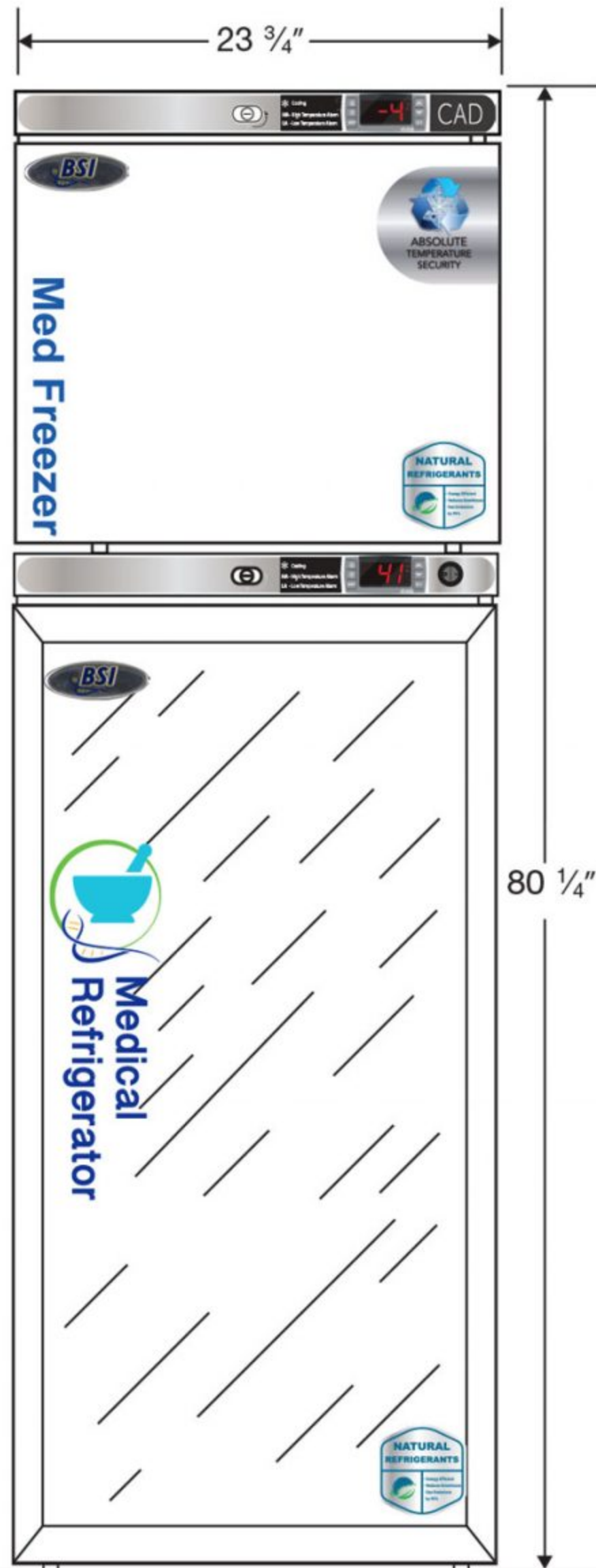




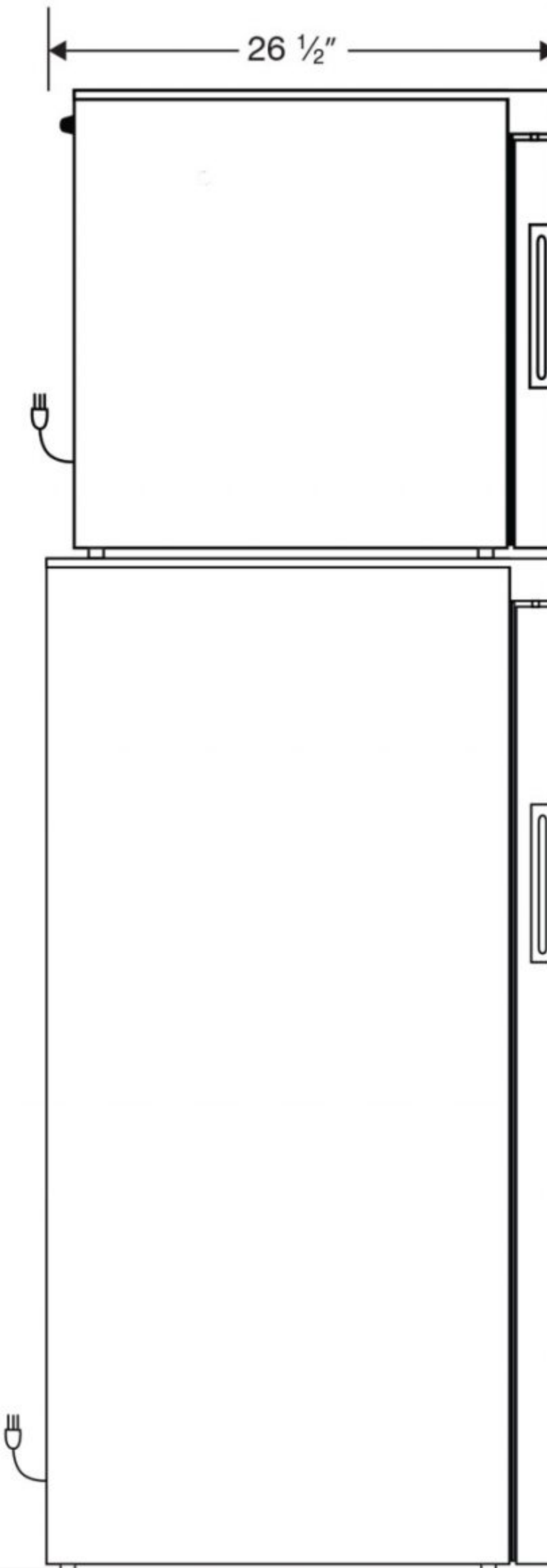
# Exterior PH-BSI-HC-RFC12GA-CAD

## CUTSHEET

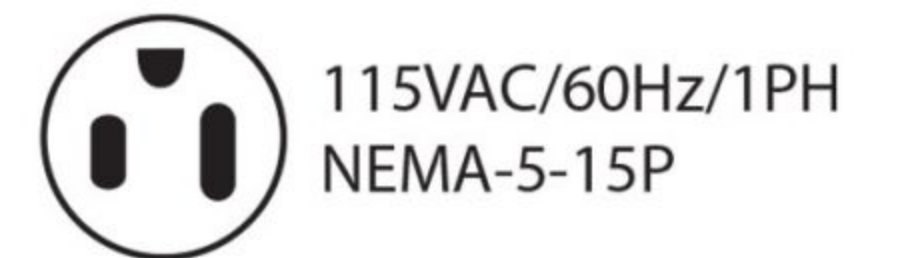
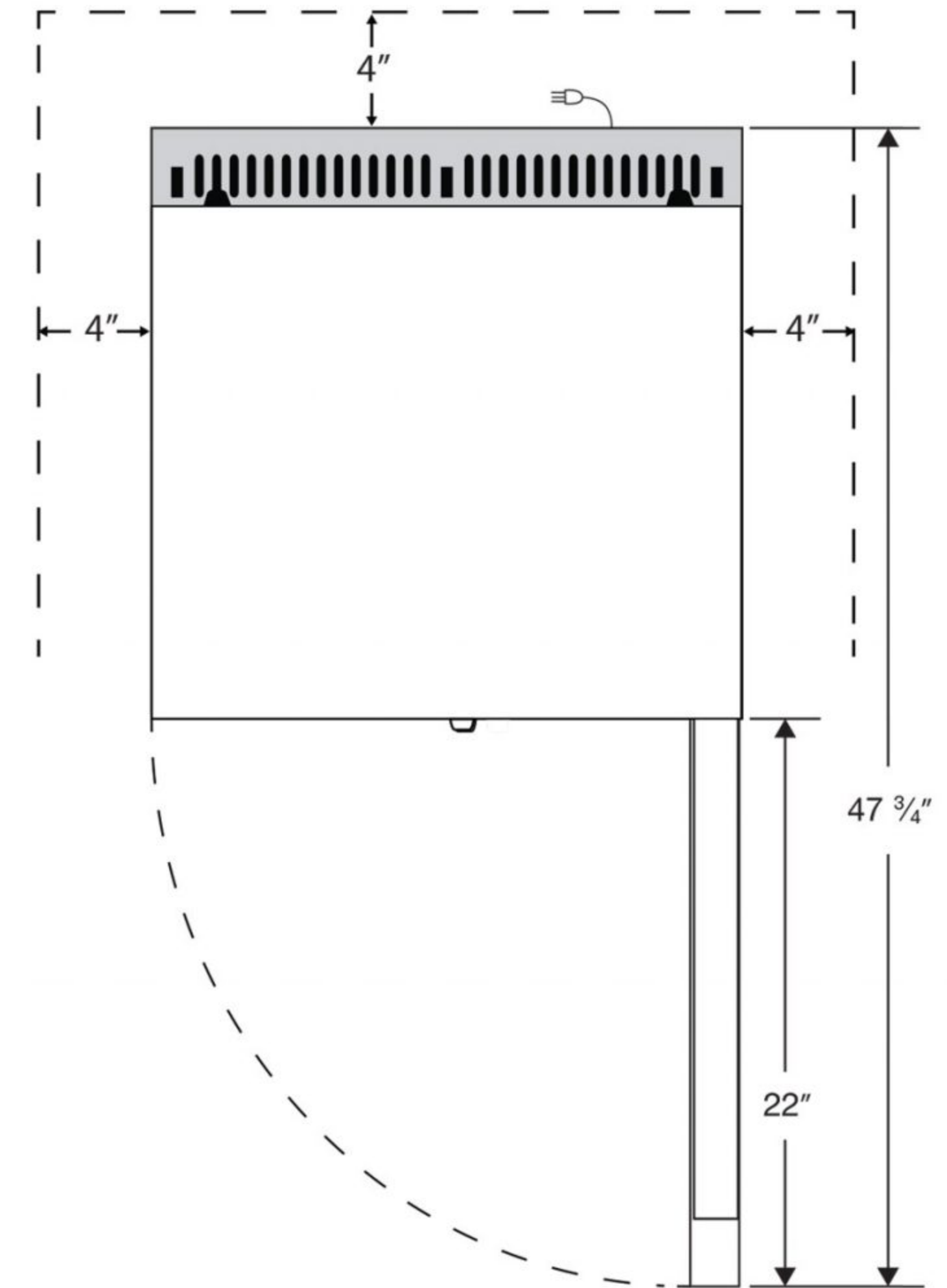
Front View



Side View



Top View



**NOTE: Ventilation Requirements – Minimum 4" clearance on sides and back**

| Compartment             | Cu. Ft    | Defrost                  | Door               | Int Door | Shelves          | W"     | D"     | H"     | Refrigerant | H.P.       | Amps     | Weight   |
|-------------------------|-----------|--------------------------|--------------------|----------|------------------|--------|--------|--------|-------------|------------|----------|----------|
| Freezer<br>Refrigerator | 1<br>10.5 | Controlled Auto<br>Cycle | 1 Solid<br>1 Glass | 0<br>0   | 2 Adj.<br>6 Adj. | 23 3/4 | 26 1/2 | 80 1/4 | R600a       | 1/8<br>1/3 | 1<br>2.3 | 246 lbs. |