



Azenta A220 & Extended Height E264

Simple, Secure -190°C LN2 Vapor Storage

Designed For Samples By Users

ERGONOMICS

- Cryo LED & Auto Fog Clear
- Full Sample Visibility
- Low Liftover Height
- Sufficient Workspace to Maintain Cold Chain



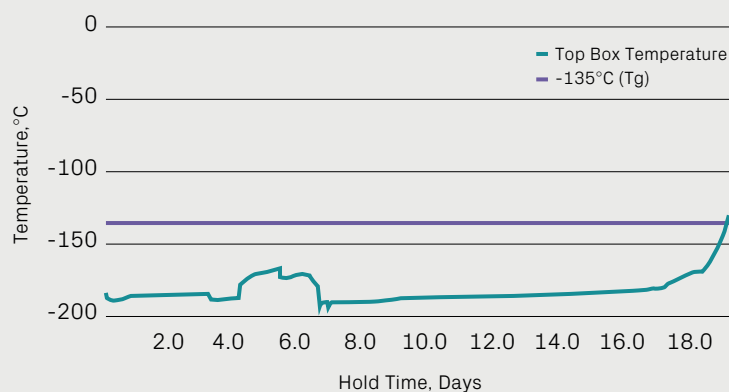
CONNECTED

- Touchscreen with WiFi / LAN
- Text & Email Alerts
- Cloud Backup
- Redundant Remote Monitoring

CAPACITY

- 10-30% More Samples
- Highest Storage Density
- Lowest LN2 Usage Per Sample

A220 Temperature Test



STORAGE TEMPERATURE: -190°C
LID OPEN TEMPERATURE: < -165°C
HOLD TIME < Tg: > 10 DAYS

Temperature test performed with 2 ml vial inventory and default vapor storage settings

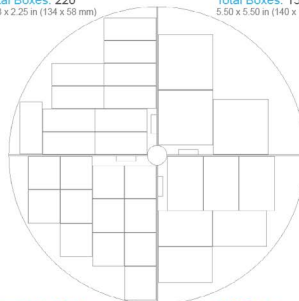


Specifications: Azenta A220 & Extended Height E264

	A220	E264
2 ml Vial Capacity (Vials Boxes Racks)		
Slim Vertical Racks	22,000 220 44	26,400 264 44
Boxes / Racks	5	6
Square Racks	15,600 156 12	18,000 180 12
Boxes / Racks	13	15
Blood Bag Capacity (Bags Frames Bags/Frames)		
25 ml Cassettes	1,708 244 7	1,952 244 8
50 ml Cassettes	952 136 7	1,088 136 8
250 ml Cassettes	400 100 4	500 100 5
500 ml Cassettes	336 84 4	420 84 5
Outer Diameter - in (mm)	34.0 (864)	34.0 (864)
Overall Height - in (mm)	58.0 (1473)	62.0 (1575)
Usable Height - in (mm)	30.0 (762)	34.0 (864)
Step Height - in (mm)	9.5 (241)	9.5 (241) x 2
Liftover Height - in (mm)	39.5 (1003)	34.0 (864)
Neck Opening - in (mm)	12.6 (320)	12.6 (320)
Empty Weight - lbs (kg)	650 (295)	710 (322)
Working Weight* - lbs (kg)	1,060 (481)	1,180 (535)
LN2 Capacity (Vapor Storage)	65 L	
Hold Time < Tg	> 10 Days	
Warranty	3 Years Parts & Craftsmanship 7 Years Vacuum	
Safety Regulatory	UL / CSA STD 61010-1 LVD (2014/35/EU)	

Vial Inventory:

2 ml Slim Racks: 44
Boxes per Rack: 5
Total Boxes: 220
5.28 x 2.25 in (134 x 58 mm)



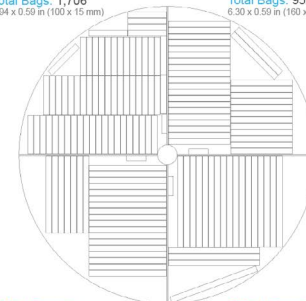
Square Racks: 12
Boxes per Rack: 13
Total Boxes: 156
5.50 x 5.50 in (140 x 140 mm)

Square Mini Racks: 48
Boxes per Rack: 13
Total Boxes: 624
3.18 x 3.34 in (81 x 85 mm)

SBS Racks: 24
5.50 x 3.83 in (140 x 92 mm)

Blood Bag Inventory:

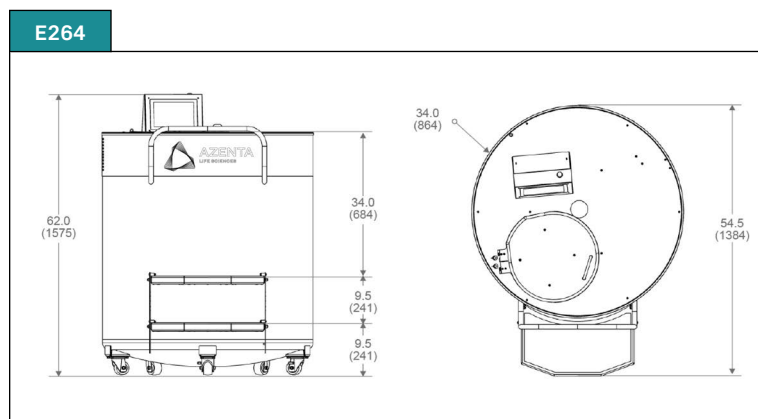
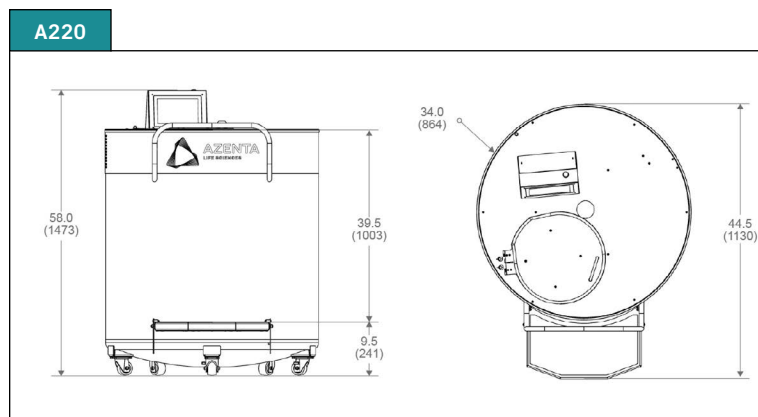
25 ml Frames: 244
Bags per Frame: 7
Total Bags: 1,708
3.94 x 0.59 in (100 x 15 mm)



50 ml Frames: 136
Bags per Frame: 7
Total Bags: 952
6.30 x 0.59 in (160 x 15 mm)

250 ml Frames: 100
Bags per Frame: 4
Total Bags: 400
7.89 x 0.59 in (200 x 15 mm)

500 ml Frames: 84
Bags per Frame: 4
Total Bags: 336
9.30 x 0.59 in (236 x 15 mm)



* 2 ml vial inventory and default vapor storage settings

